

Linear actuator CAR, CAP & CAT series





CAR, CAP & CAT series

The CAR, CAP, CAT modular design concept makes it easy to interchange critical components such as motors, gears, screws, attachments, etc. Custom-built actuators are easily and cost efficiently built from standard parts. The CAT range flexibility makes it suitable for a high number of applications.



Features

- Compact
- Robust
- Modular
- Lubricated for service life
- High efficiency

Benefits

- Industrial reliable and robust actuator
- Wide range of components
- Right-hand and left-hand version
- Incremental or absolute position feedback option

CAR 22

Linear actuator

Benefits

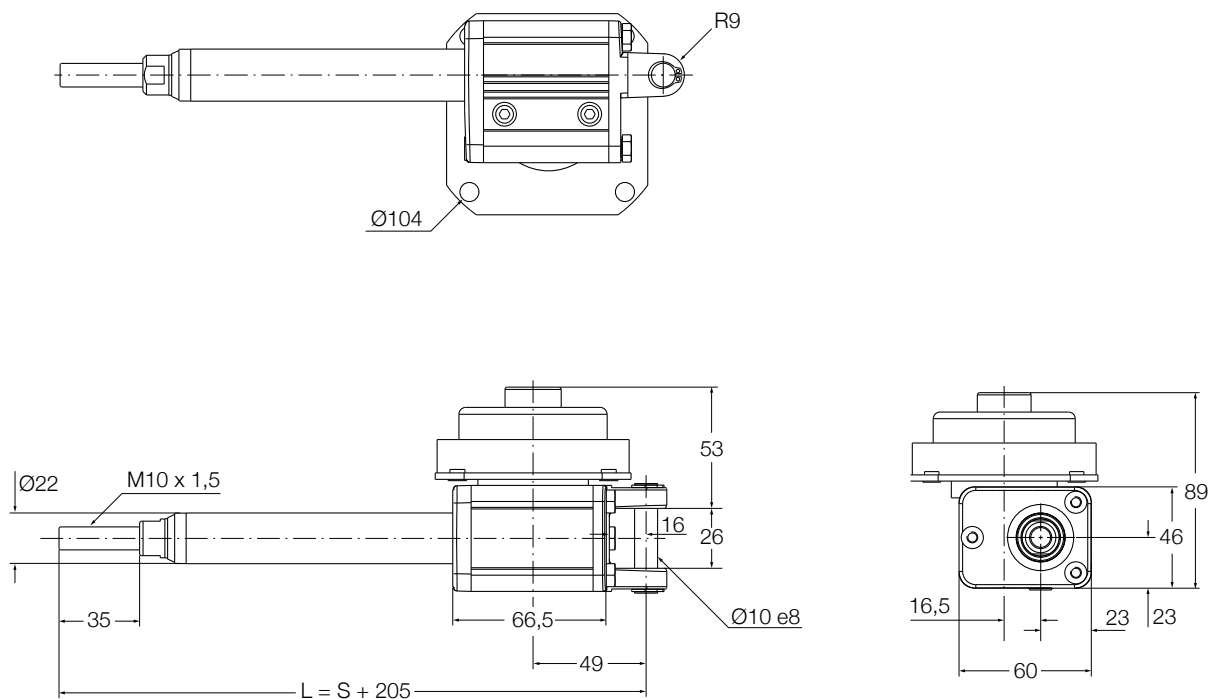
- Reliable and robust industrial actuator
- Right- and left-hand version
- Maintenance free



Technical data

	Unit	CAR 22
Rated push load	N	1 000 to 1 500
Rated pull load	N	1 000 to 1 500
Speed (full load to no load)	mm/s	10 to 30
Stroke	mm	50 to 300
Retracted length	mm	S+ 205
Voltage	V AC	12 or 24
Power consumption	W	120
Current consumption	12 V DC 24 V DC	A A
		9 5
Duty cycle	%	25
Ambient temperature	°C	-20 to +70
Type of protection	IP	44
Weight	kg	1,2 to 1,6

Dimensional drawing

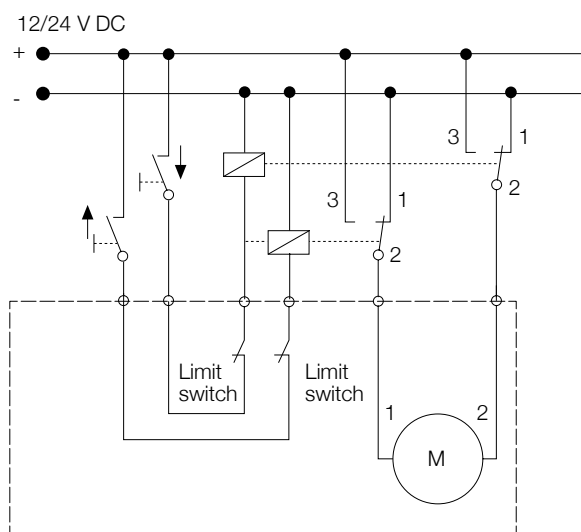


Legend:

S = stroke

L = retracted length

Connecting diagrams

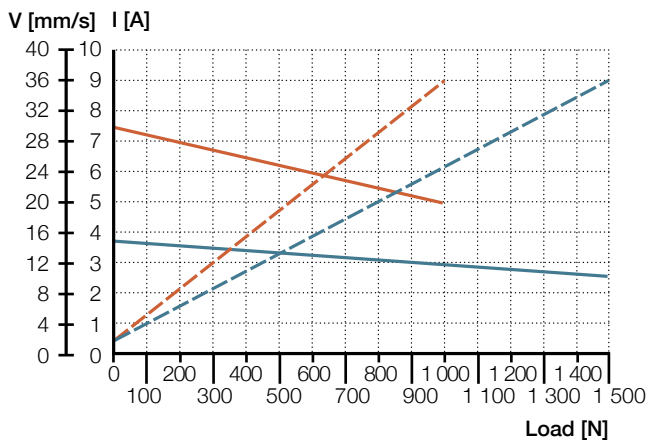


Suitable control units and accessories

	Control units	Limit switch
D12B	CAED 5-24R	CAXE 22
D24B		

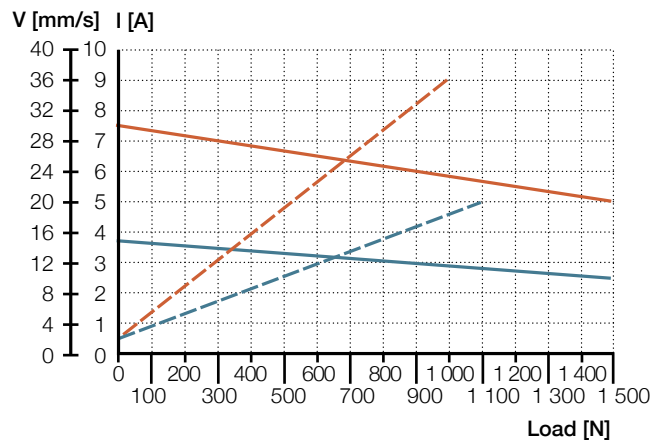
Performance diagrams

CAR 22.../D12B



Gear 1 — V (mm/s) — I (A)

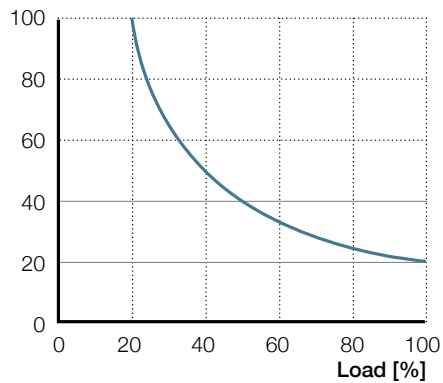
CAR 22.../D24B



Gear 2 — V (mm/s) — I (A)

Duty cycle

Duty factor [%] at 20 °C



Ordering key

Load [N] / Full Load Speed [mm/s]		Motor options	
1 500/xx	1 000/xx	No motor	0000
1 500/15-10	1 000/30-20	12 V DC, flat motor, IP44	D12B
1 500/15-10	1 000/30-20	24 V DC, flat motor, IP44	D24B

Type _____

Motor assembly _____
 R Right
 L Left

Stroke [S] _____
 050 50 mm
 100 100 mm
 150 150 mm
 200 200 mm
 300 300 mm
 --- Other stroke lengths

■ Options shown in red are only available on request. Contact Ewellix for more information on minimum quantities and additional costs.

CAR 22 – Type codes for accessories and spare parts

Item code	Type code	Order N°
12 VDC motor (flat motor)	D12B	M/0405516
24 VDC motor (flat motor)	D24B	M/0405517
Limit switch for stroke = 50 mm	CAXE 22 × 50	M/0412019
Limit switch for stroke = 100 mm	CAXE 22 × 100	M/0412020
Limit switch for stroke = 150 mm	CAXE 22 × 150	M/0412021
Limit switch for stroke = 200 mm	CAXE 22 × 200	M/0412022
Limit switch for stroke = 300 mm	CAXE 22 × 300	M/0412023
Proximity switch for CAXE	CAXE Proximity switch	M/0432369
Front mounting attachments type Rod-end	575-22	M/0430575-22
Front mounting attachments type Clevis	576-22	M/0430576-22
Rear mounting attachments type Single ear bracket	580-22	M/0430580-22
Rear mounting attachments type Ball-joint bracket	581-22	M/0430581-22
Control unit (suitable for D24B motor)	CAED 5-24R	M/0420209

CAP 32

Linear actuator



Benefits

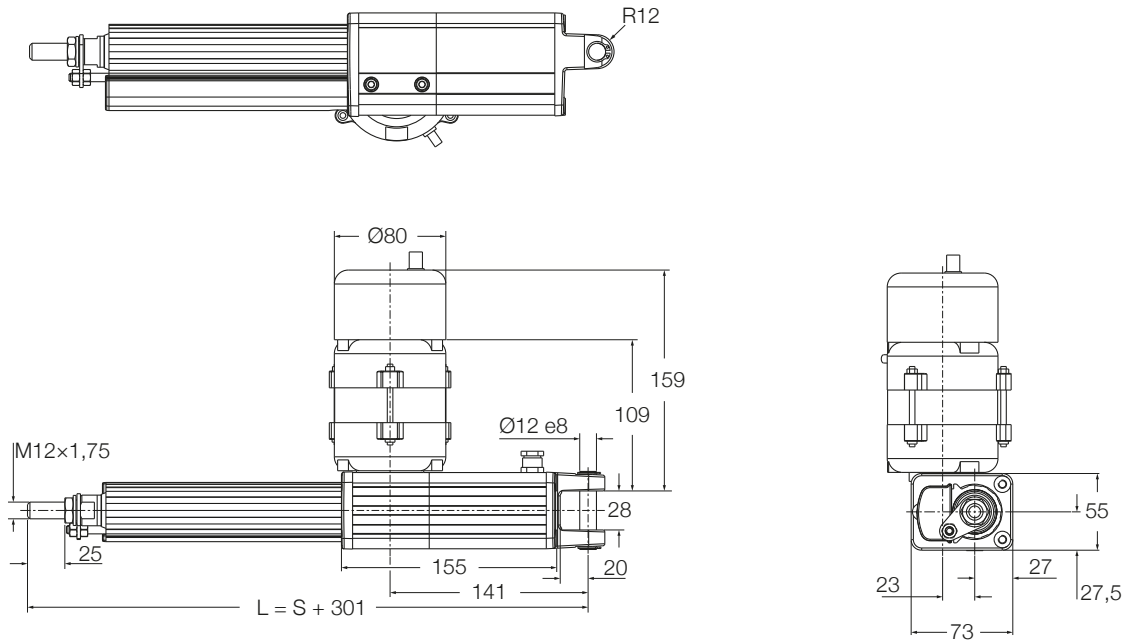
- High efficiency ball screw
- Extension tube (stainless steel)
- Protection tube (steel)
- Enhanced corrosion resistance
- Mechanical overload protection (clutch)
- Lubricated for service life
- Robust, designed for tough environment
- No back driving
- Motor with thermal protection

Technical data

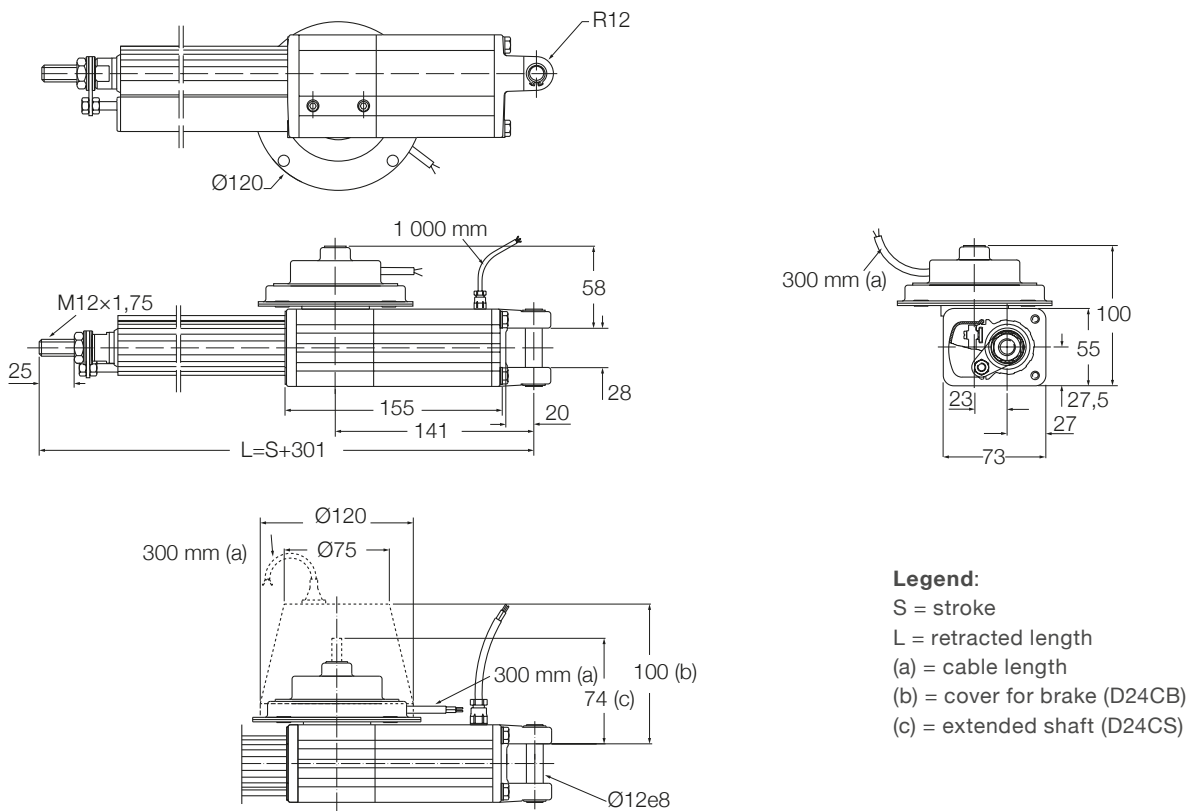
		Unit	CAP 32 – AC version	CAP 32 – DC version
Rated push load		N	1 500 to 3 500	1 000 to 3 500
Rated pull load		N	1 500 to 3 500	1 000 to 3 500
Speed (full load to no load)		mm/s	6 to 32 ¹⁾	5 to 60 ¹⁾
Stroke		mm	50 to 700	50 to 700
Retracted length		mm	S+301	S+301
Voltage		V AC	120 or 230	–
		V DC	–	12 or 24
Power consumption	120 V AC	W	98 (brake 133,2 W)	N/A
	230 V AC	W	92 (brake 117,3 W)	–
	12 or 24 V DC	W	–	N/A
Current consumption	120 V AC	A	0,82 (brake +0,29 A)	–
	230 V AC	A	0,4 (brake + 0,11 A)	–
	12 V DC	A	–	13
	24 V DC	A	–	8
	24 V DC	A	–	5 (for motor D24CW)
Duty cycle		%	30	25
Ambient temperature		°C	–20 to +50	–20 to +50
Type of protection		IP	20/54	20/44
Weight		kg	2,9 to 5,0	2,9 to 5,0

¹⁾ Depending on selected motor

Dimensional drawing – AC version

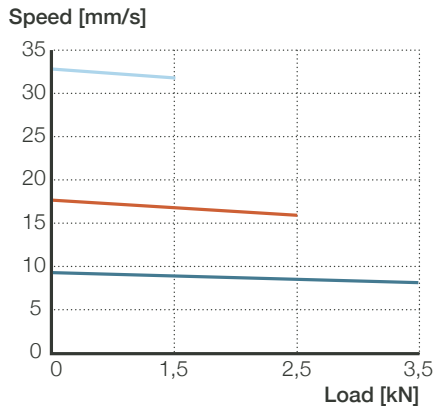


Dimensional drawing – DC version

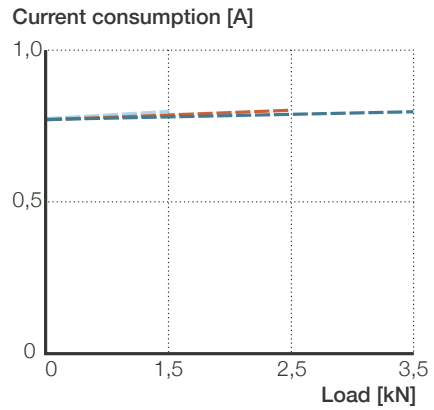


Performance diagrams – AC version

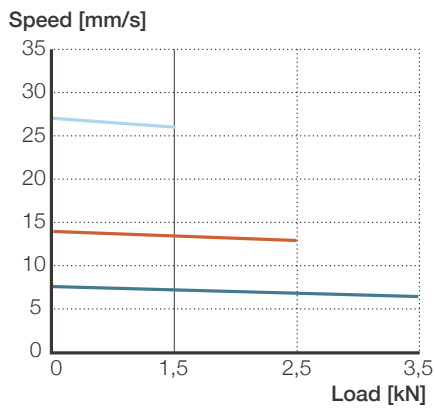
Speed-load diagram CAP 32 ... 120 V AC



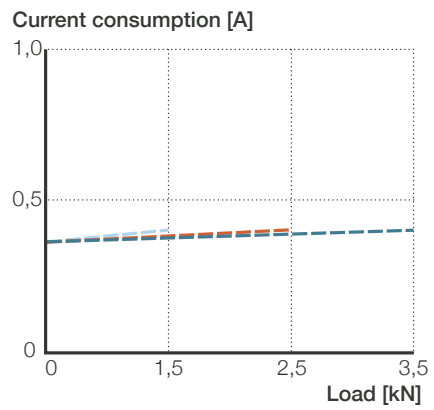
Current-load diagram CAP 32 ... 120 V AC



Speed-load diagram CAP 32 ... 230 V AC



Current-load diagram CAP 32 ... 230 V AC

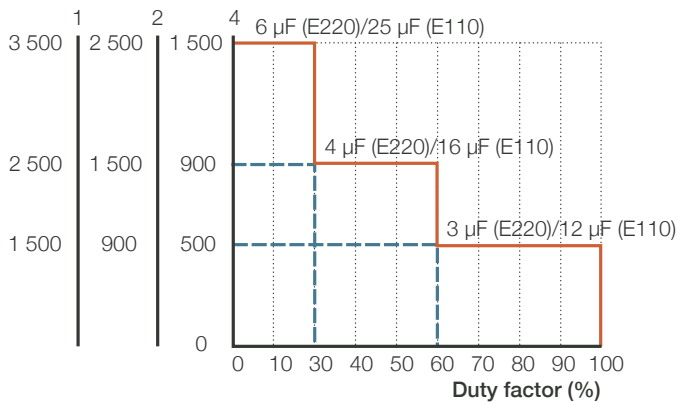


Gear 1 — V (mm/s) — I (A) Gear 2 — V (mm/s) — I (A) Gear 4 — V (mm/s) — I (A)

Duty cycle – AC version

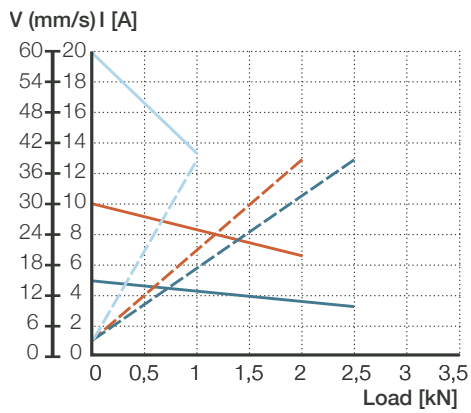
CAP 32 ... 230/120 V AC

F (N) Gear

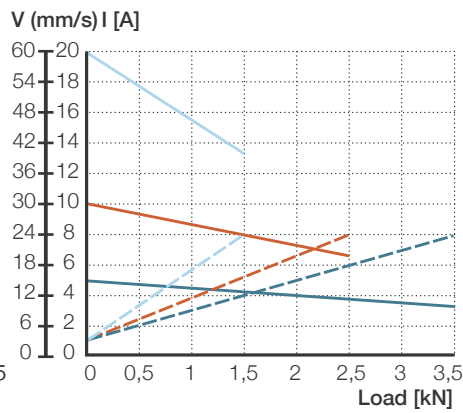


Performance diagrams – DC version

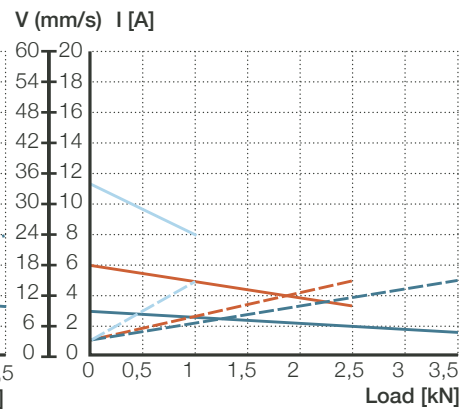
CAP 32.../D12C



CAP 32.../D24C/D24CS/D24CB



CAP 32.../D24CW



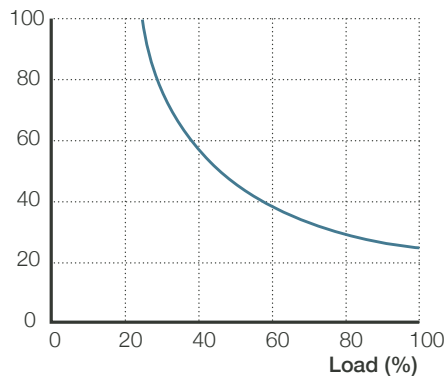
Gear 1 — V (mm/s) — I (A)

Gear 2 — V (mm/s) — I (A)

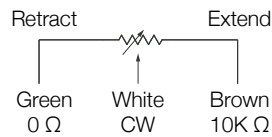
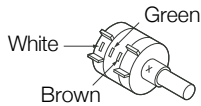
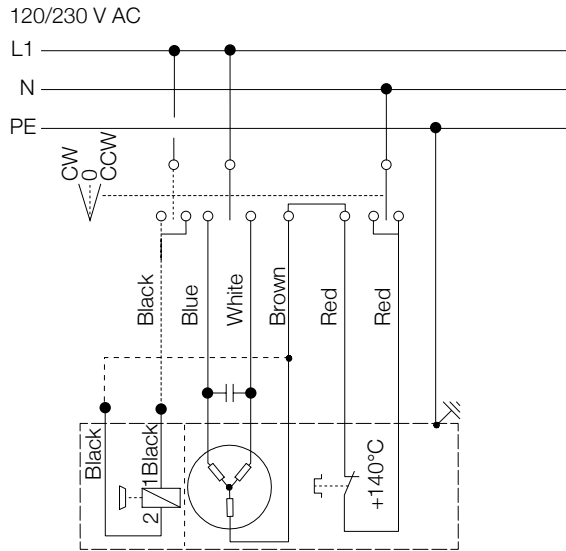
Gear 4 — V (mm/s) — I (A)

Duty cycle – DC version

Duty factor (%) at 20°C

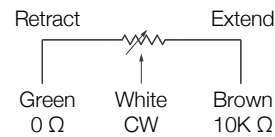
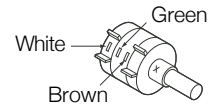
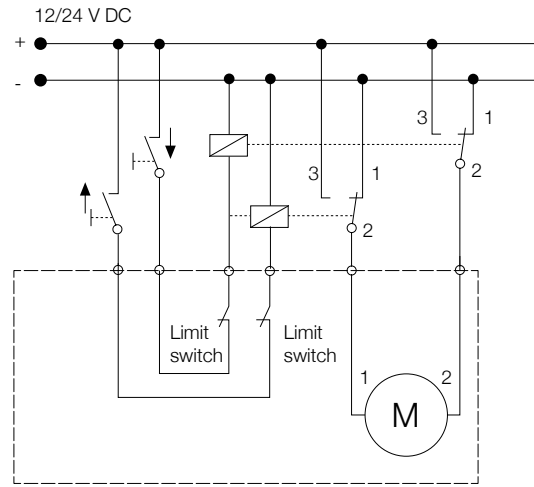


Connecting diagrams – AC version



Connection diagram for rotating potentiometer

Connecting diagrams – DC version



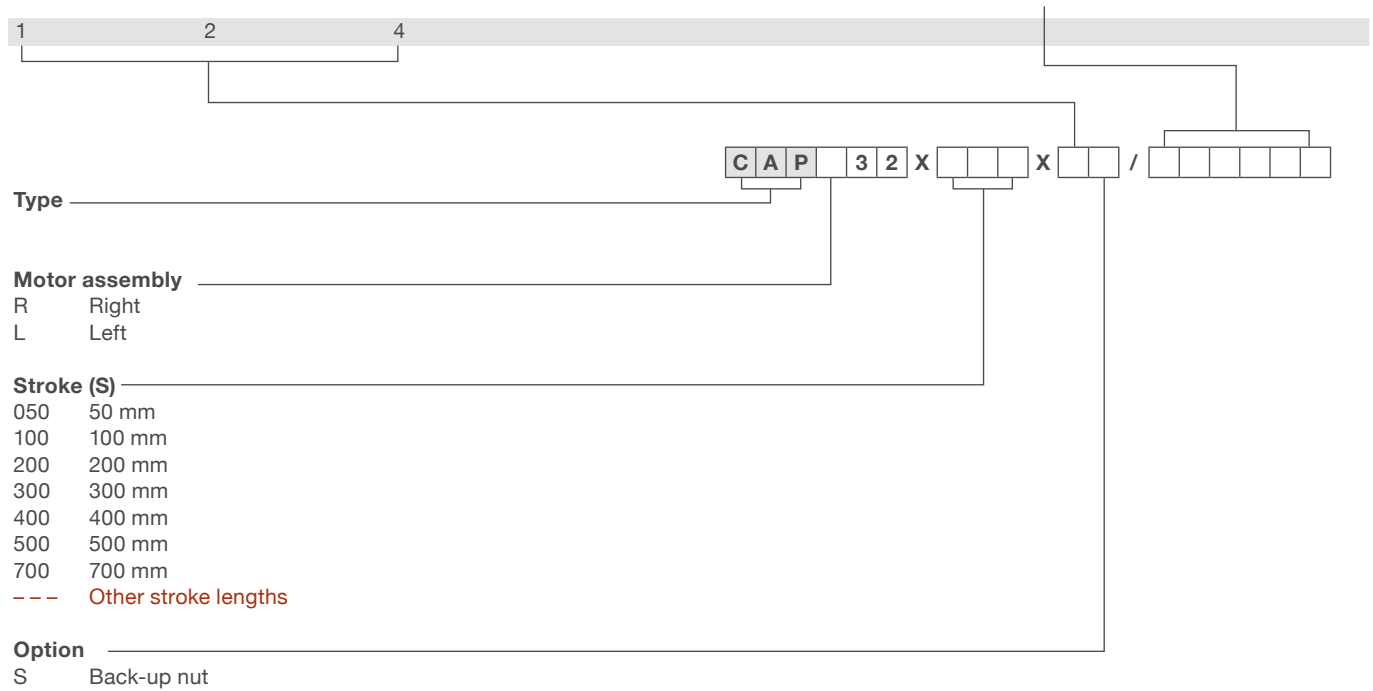
Connection diagram for rotating potentiometer

CAP 32 – Type codes for accessories and spare parts

Item code	Type code	Order N°
12 V DC motor (flat motor)	D12C	M/0405518
24 V DC motor (flat motor)	D24C	M/0405519
24 V DC motor (flat motor with brake)	D24CB	M/0405523
24 V DC motor (flat motor with extended shaft)	D24CS	M/0405522
24 V DC motor (flat motor with low speed)	D24CW	M/0405521
120 V AC motor (cylindrical motor)	E110C	M/0405533
120 V AC motor (cylindrical motor with brake)	E110CB	M/0405534
230 V AC motor (cylindrical motor)	E220C	M/0405531
230 V AC motor (cylindrical motor with brake)	E220CB	M/0405532
Capacitor value 25 μF (120 V AC)	Capacitor 25 μF	M/0430670-06
Capacitor value 6 μF (230 V AC)	Capacitor 6 μF	M/0430670-03
Limit switch for stroke = 50 mm	CAXE 32 × 50	M/0412030
Limit switch for stroke = 100 mm	CAXE 32 × 100	M/0412031
Limit switch for stroke = 200 mm	CAXE 32 × 200	M/0412033
Limit switch for stroke = 300 mm	CAXE 32 × 300	M/0412034
Limit switch for stroke = 500 mm	CAXE 32 × 500	M/0412036
Limit switch for stroke = 700 mm	CAXE 32 × 700	M/0412037
Proximity switch for CAXE	CAXE Proximity switch	M/0432369
Front mounting attachments type Rod-end	575-32	M/0430575-32
Front mounting attachments type Clevis	576-32	M/0430576-32
Rear mounting attachments type Single ear bracket	580-32	M/0430580-32
Rear mounting attachments type Universal joint	582-32	M/0431780-32

Ordering key

Dynamic load (N) / Speed (mm/s)			Motor options	
3 500xx	2 500/xx	1 500/xx	No motor	0000
3 500/8	2 500/16	1 500/32	120 V AC/60 Hz, 1-phase, IP54	E110C
3 500/8	2 500/16	1 500/32	120 V AC/60 Hz, 1-phase, brake, IP20	E110CB
3 500/6	2 500/13	1 500/26	230 V AC/50 Hz, 1-phase, IP54	E220C
3 500/6	2 500/13	1 500/26	230 V AC/50 Hz, 1-phase, brake, IP20	E220CB
3 500/xx	2 500/xx	1 500/xx	No motor	0000
2 500/15-10	2 000/30-20	1 000/60-40	12 V DC, flat motor, IP44	D12C
3 500/15-10	2 500/30-20	1 500/60-40	24 V DC, flat motor, IP44	D24C
3 500/9-5	2 500/18-10	1 500/34-24	24 V DC, flat motor, low speed, IP44	D24CW
3 500/15-10	2 500/30-20	1 500/60-40	24 V DC, flat motor, extended shaft, IP44	D24CS
3 500/15-10	2 500/30-20	1 500/60-40	24 V DC, flat motor, brake, IP20	D24CB



Options shown in red are only available on request. Contact Ewellix for more information on minimum quantities and additional costs.

CAT 32B and CAP 43B

Linear actuator

Benefits

- Compact
- Robust
- Modular
- Lubricated for service life
- High efficiency
- Digital encoder feedback



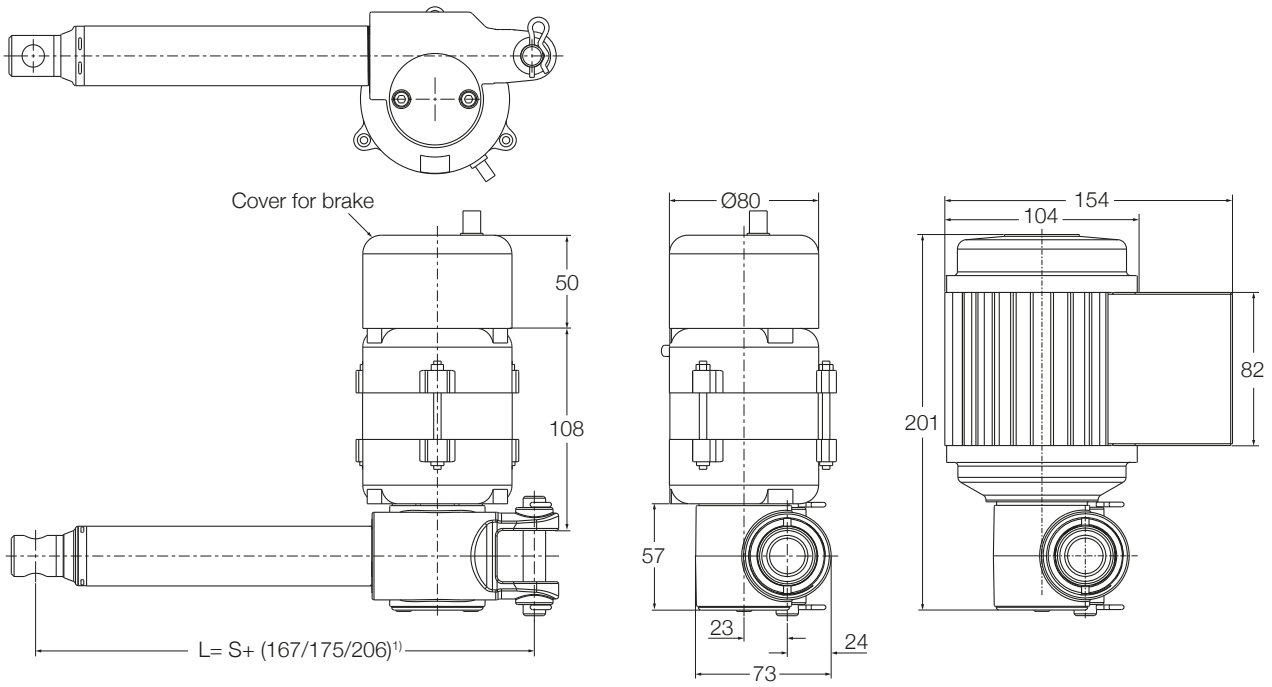
Technical data

	Unit	CAT 32B – AC version	CAT 32B – DC version	CAP 43B
Rated push load	N	1 500 to 3 500	1 000 to 4 000	1 500 to 4 000
Rated pull load	N	1 500 to 3 500	1 000 to 4 000	1 500 to 4 000
Speed (at full load)	mm/s	6,5 to 32 ¹⁾	5 to 52 ¹⁾	5 to 65 ¹⁾
Stroke	mm	50 to 700	50 to 700	50 to 700
Retracted length	mm	S+167/175/206 ²⁾	S+167/175/206 ²⁾	S+167/175/206 ²⁾
Voltage	V AC	120, 230 or 400	–	–
	V DC	–	12 or 24	24
Power consumption	120 V AC	W	98 (brake 133,2 W)	–
	230 V AC	W	92 (brake 117,3 W)	–
	400 V AC	W	80	–
	12 or 24 V DC	W	–	N/A
Current consumption	120 V AC	A	0,82 (brake +0,29 A)	–
	230 V AC	A	0,4 (brake +0,11 A)	–
	400 V AC	A	0,2	–
	12 V DC	A	–	18
	24 V DC	A	–	9
	24 V DC	A	–	5 (for motors C24CW and D24CW)
Duty cycle	%	30	20	20
Ambient temperature	°C	–20 to +50	–20 to +50	–20 to +50
Type of protection	IP	20/54/55	20/44/66 ¹⁾	44
Weight	kg	2 to 3,5	2 to 3,5	2,0 to 2,7

¹⁾ Depending on selected motor

²⁾ Dimension depends on selected front attachment

Dimensional drawing – CAT 32B AC version



Legend:

S = stroke

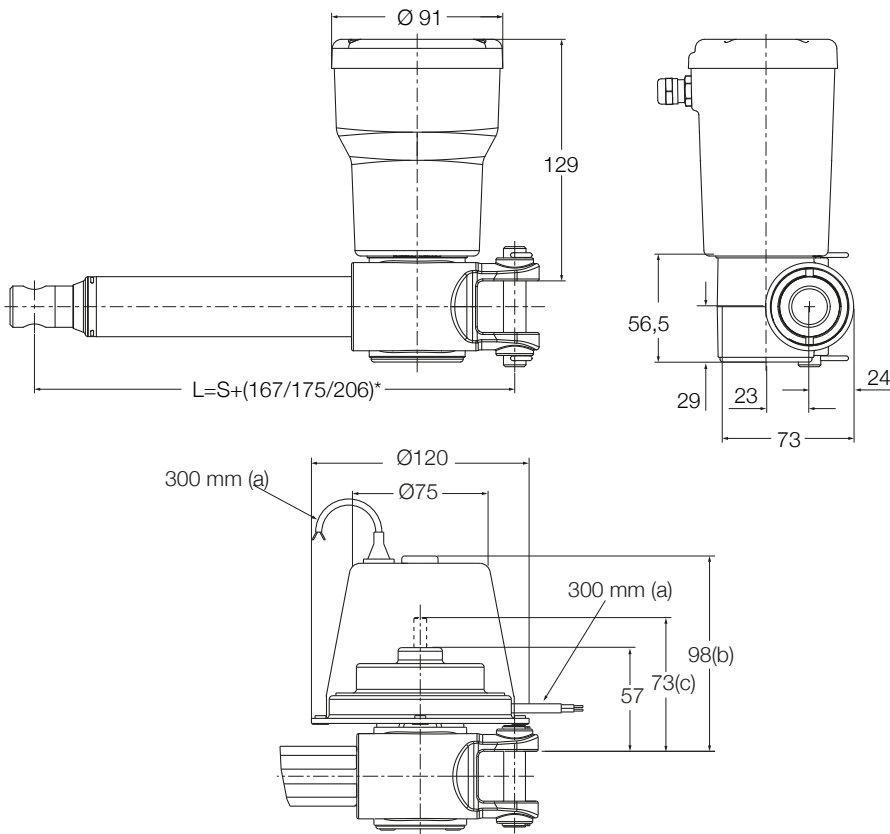
L = retracted length

¹⁾ Dimension depends on selected front attachment

120 or 230 V AC motor

400 V AC motor

Dimensional drawing – CAT 32B DC version



Legend:

S = stroke

L = retracted length

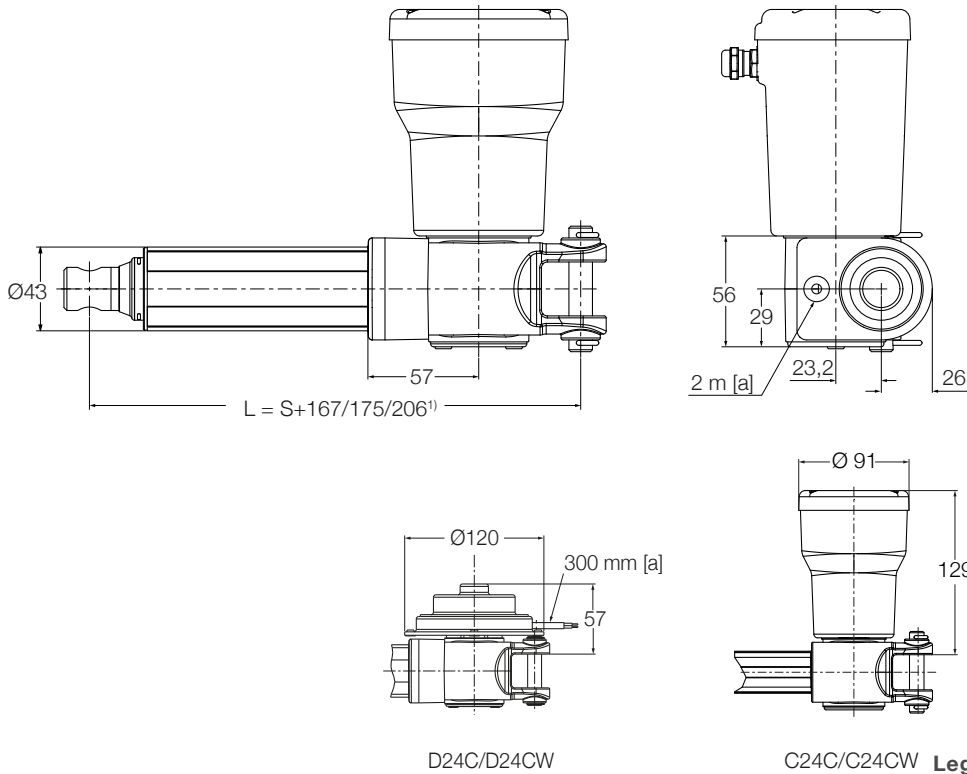
(a) = cable length

(b) = cover for brake (D24CB)

(c) = extended shaft (D24CS)

D12C, D24C, D24CB, D24CS, D24CW

Dimensional drawing – CAP 43B

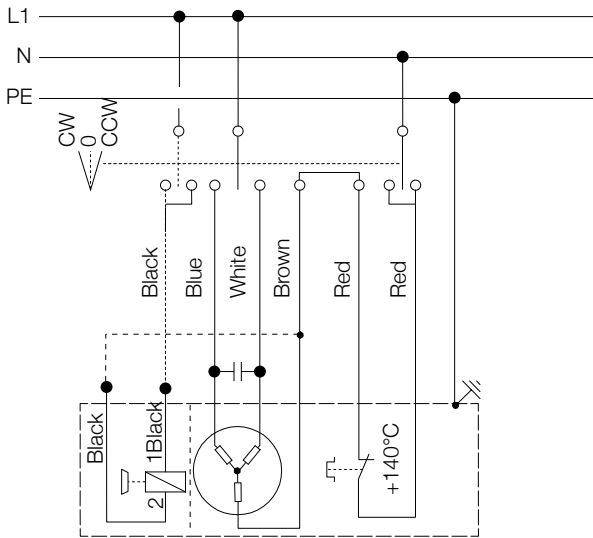


Legend:
 S = stroke
 L = retracted length
 [a] = cable length

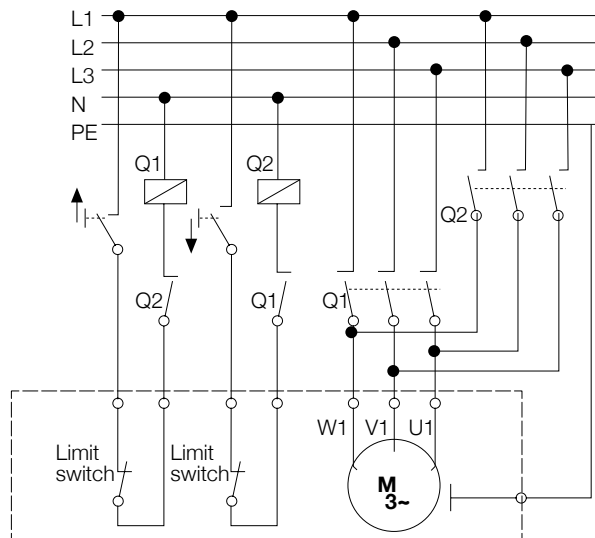
¹⁾ Dimension depends on selected front attachment

Connecting diagrams – AC version

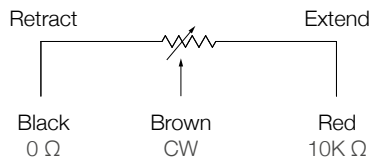
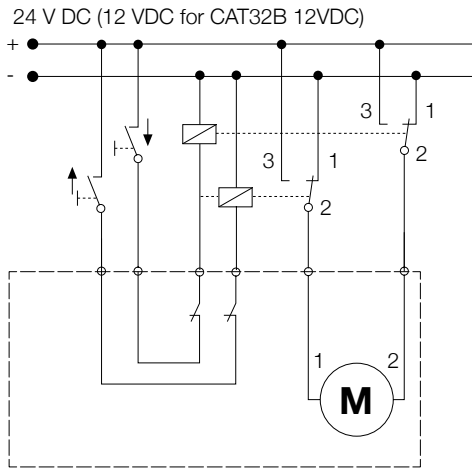
120/230 V AC



400 V AC



Connecting diagrams – DC version



Connection diagram for linear potentiometer only for CAP 43B.

Suitable control units and accessories AC version

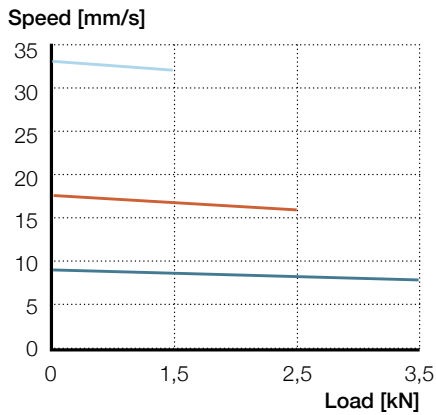
	Limit switch	Encoder
E110C	CAXE32B	E2
E110CB	•	•
E220C	•	•
E220CB	•	•
E380C	•	•

Suitable control units and accessories DC version

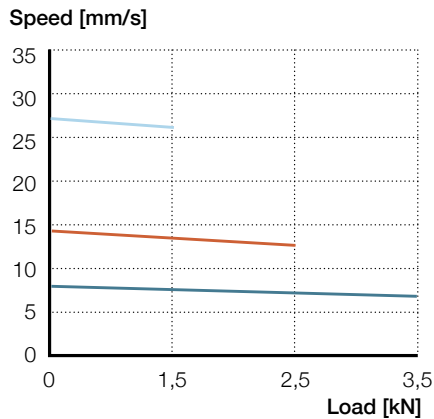
	Control units	Limit switch	Encoder
C12C	CAED 5-24R	CAXE32B	E2
D12C		•	•
C24C		•	•
C24CW	•	•	•
D24C		•	•
D24CB		•	•
D24CS		•	•
D24CW	•	•	•

Performance diagrams – AC version

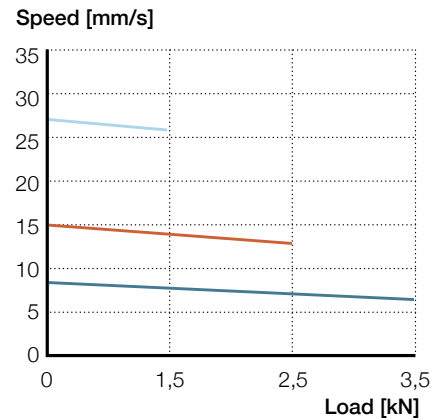
Speed-load diagram CAT 32B ... 120 V AC



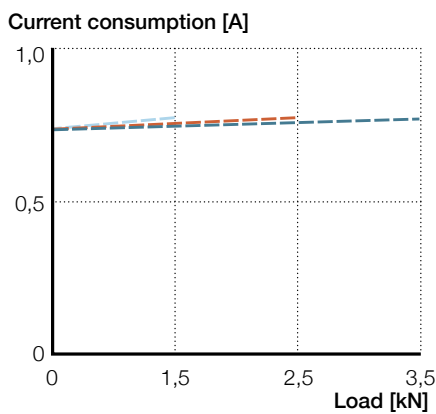
Speed-load diagram CAT 32B ... 230 V AC



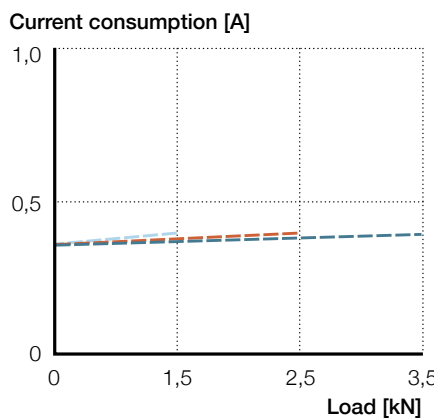
Speed-load diagram CAT 32B ... 400 V AC



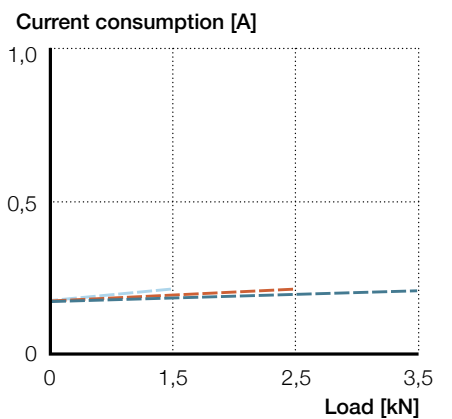
Current-load diagram CAT 32B ... 120 V AC



Current-load diagram CAT 32B ... 230 V AC



Current-load diagram CAT 32B ... 400 V AC



Gear 1 — V (mm/s) — I (A)

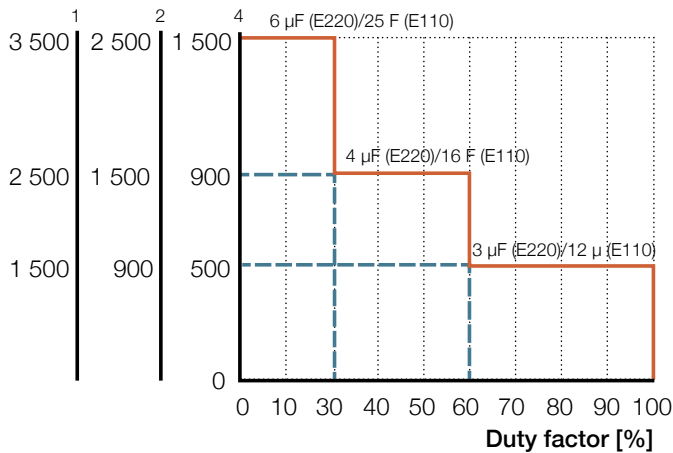
Gear 2 — V (mm/s) — I (A)

Gear 4 — V (mm/s) — I (A)

Duty cycle – AC version

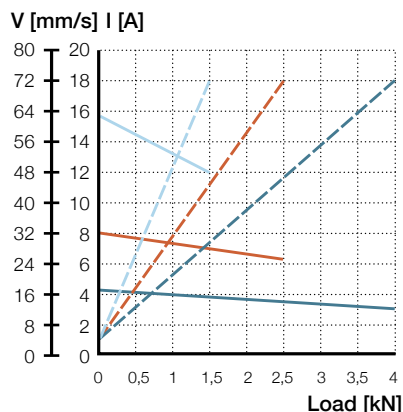
CAT 32B...230/120 V AC

F [N] Gear

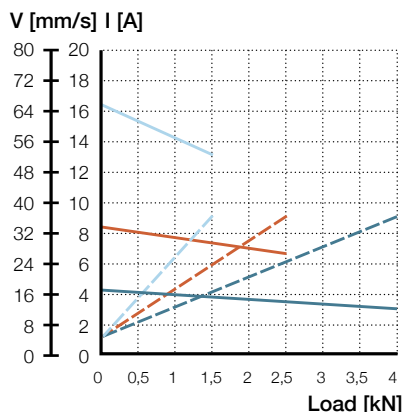


Performance diagrams – DC version

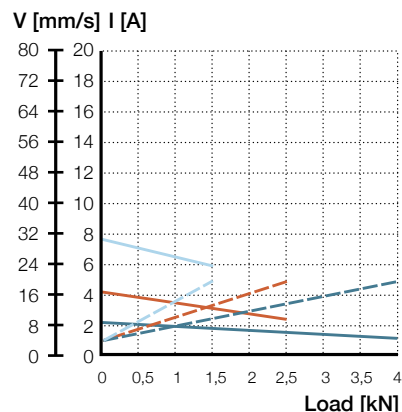
CAT 32B.../C12C



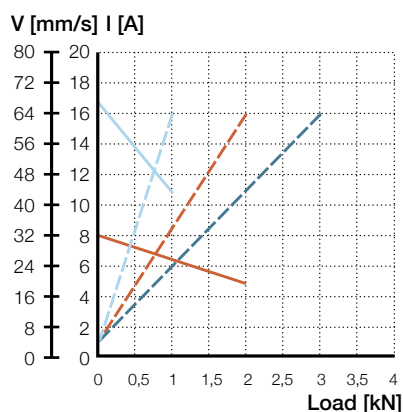
CAT 32B.../C24C
CAP 43B.../C24C



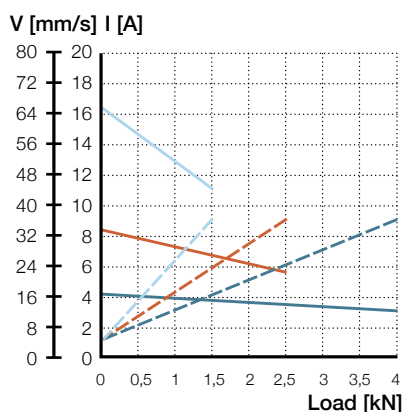
CAT 32B.../C24CW
CAP 43B.../C24CW



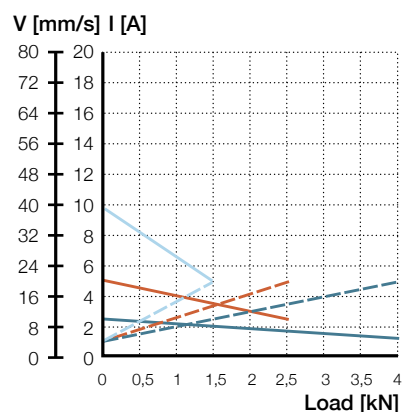
CAT 32B.../D12C



CAT 32B.../D24C/D24CB/D24CS
CAP 43B.../D24C



CAT 32B.../D24CW
CAP 43B.../D24CW



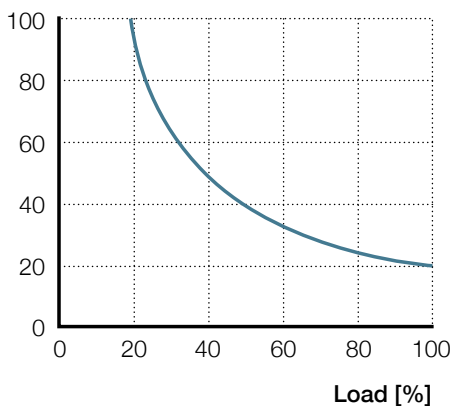
Gear 1 — V (mm/s) — I (A)

Gear 2 — V (mm/s) — I (A)

Gear 4 — V (mm/s) — I (A)

Duty cycle – DC version

Duty factor [%] at 20 °C



CAT 32B – Type codes for accessories and spare parts

Item code	Type code	Order N°
12 V DC motor (cylindrical motor)	C12C	M/0405535
12 V DC motor (flat motor)	D12C	M/0405518
24 V DC motor (cylindrical motor)	C24C	M/0405536
24 V DC motor (cylindrical with low speed)	C24CW	M/0405537
24 V DC motor (flat motor)	D24C	M/0405519
24 V DC motor (flat motor with brake)	D24CB	M/0405523
24 V DC motor (flat motor with extended shaft)	D24CS	M/0405522
24 V DC motor (flat motor with low speed)	D24CW	M/0405521
120 V AC motor (cylindrical motor)	E110C	M/0405533
120 V AC motor (cylindrical motor with brake)	E110CB	M/0405534
230 V AC motor (cylindrical motor)	E220C	M/0405531
230 V AC motor (cylindrical motor with brake)	E220CB	M/0405532
400 V AC motor (cylindrical motor)	E380C	M/0411607
Capacitor value 25 µF (120 V AC)	Capacitor 25 µF	M/0430670-06
Capacitor value 6 µF (230 V AC)	Capacitor 6 µF	M/0430670-03
Limit switch for stroke = 50 mm	CAXE 32B × 50	M/0412070
Limit switch for stroke = 100 mm	CAXE 32B × 100	M/0412071
Limit switch for stroke = 200 mm	CAXE 32B × 200	M/0412073
Limit switch for stroke = 300 mm	CAXE 32B × 300	M/0412074
Limit switch for stroke = 400 mm	CAXE 32B × 400	M/0412075
Limit switch for stroke = 500 mm	CAXE 32B × 500	M/0412076
Limit switch for stroke = 700 mm	CAXE 32B × 700	M/0412077
Proximity switch for CAXE	CAXE Proximity switch	M/0432369
Front mounting attachments type Rod-end	575-32	M/0430575-32
Front mounting attachments type Clevis	576-32	M/0430576-32
Rear mounting attachments type Single ear bracket	580-32	M/0430580-32
Rear mounting attachments type Universal joint	582-32	M/0431780-32
Control unit (suitable for D24CW, C24CW motor)	CAED 5-24R	M/0420209

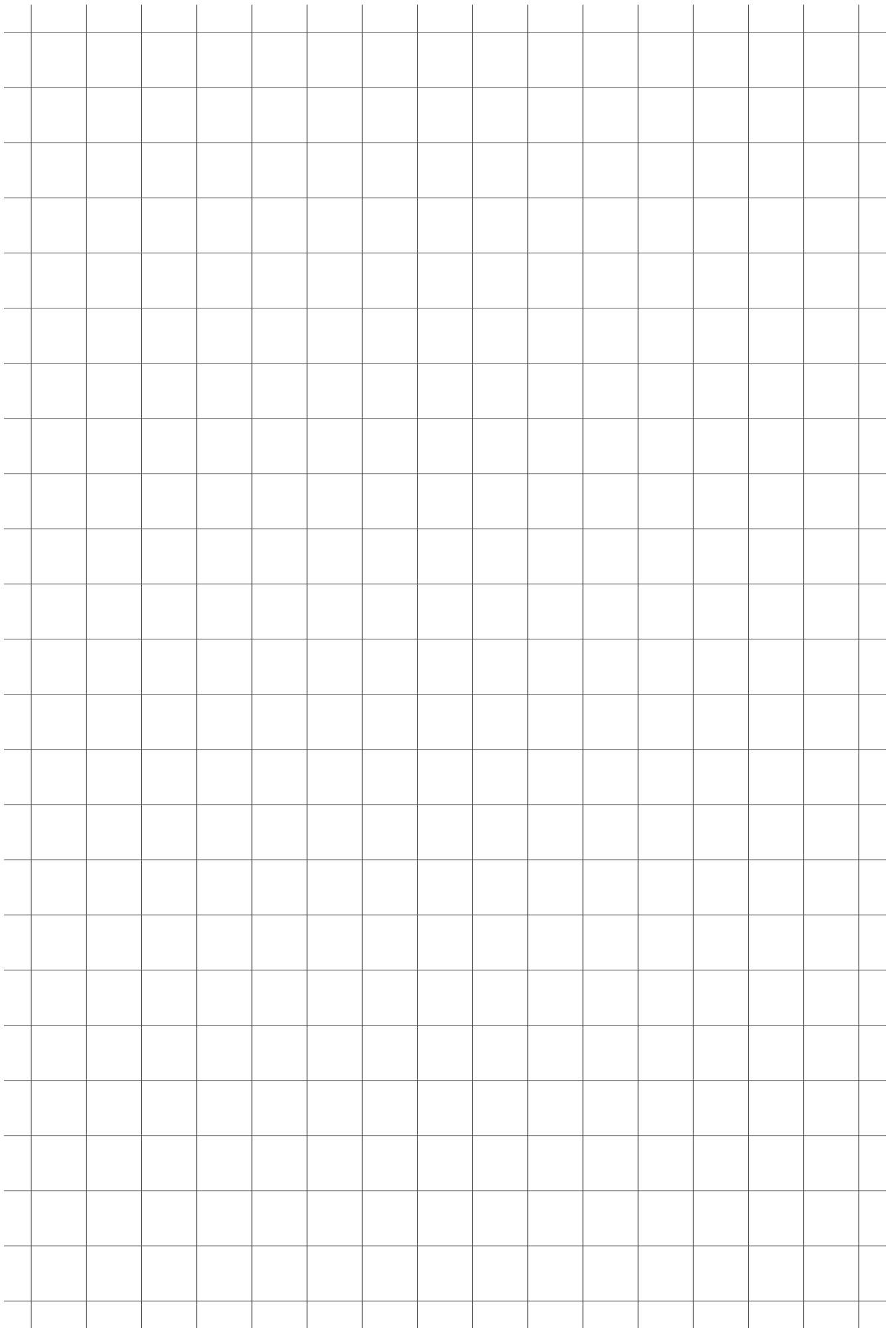
CAP 43B – Type codes for accessories and spare parts

Item code	Type code	Order N°
24 V DC motor (cylindrical motor)	C24C	M/0405536
24 V DC motor (cylindrical with low speed)	C24CW	M/0405537
24 V DC motor (flat motor)	D24C	M/0405519
24 V DC motor (flat motor with low speed)	D24CW	M/0405521
Front mounting attachments type Rod-end	575-32	M/0430575-32
Front mounting attachments type Clevis	576-32	M/0430576-32
Rear mounting attachments type Single ear bracket	580-32	M/0430580-32
Rear mounting attachments type Universal joint	582-32	M/0431780-32

Ordering key

Load [N] / Full Load Speed [mm/s]			Motor options	
4 000/xx	2 500/xx	1 500/xx	No motor	0000
4 000/17-13	2 500/33-26	1 500/65-52	24 V DC, IP44	C24C
4 000/9-5	2 500/17-10	1 500/31-24	24 V DC, low speed, IP44	C24CW
4 000/16-12	2 500/33-22	1 500/65-44	24 V DC, flat motor, IP44	D24C
4 000/10-5	2 500/20-10	1 500/39-20	24 V DC, flat motor, low speed, IP44	D24CW

1	2	4
<p>Type —————</p>		
<p>Motor assembly</p> <p>R Right</p> <p>L Left</p>		
<p>Stroke [S]</p> <p>100 100 mm</p> <p>200 200 mm</p> <p>300 300 mm</p> <p>400 400 mm</p> <p>500 500 mm</p> <p>700 700 mm</p>		
<p>Rear attachment</p> <p>A1 Fork ear, Ø12,0 mm</p> <p>A2 Fork ear, Ø12,7 mm</p> <p>K1 Single ear, Ø12,0 mm</p> <p>K2 Single ear, Ø12,7 mm</p>		
<p>Front attachment</p> <p>G1 Hole, Ø12,0 mm</p> <p>G2 Hole, Ø12,7 mm</p> <p>G3 Male thread, M12</p> <p>G4 Female thread, M12</p> <p>G5 Fork ear, Ø10,1 mm</p>		
<p>Option</p> <p>F Friction clutch</p> <p>S Back-up nut</p>		
<p>Cable option for C24C[W] motors</p> <p>T2 Straight, 2,0 m</p> <p>T6 Straight cable, 6,0 m, no plug</p>		



CAT 33 and CAP 43A

Linear actuator

Benefits

- Small
- Robust
- Highly efficient
- Lubricated for service life
- Digital encoder feedback



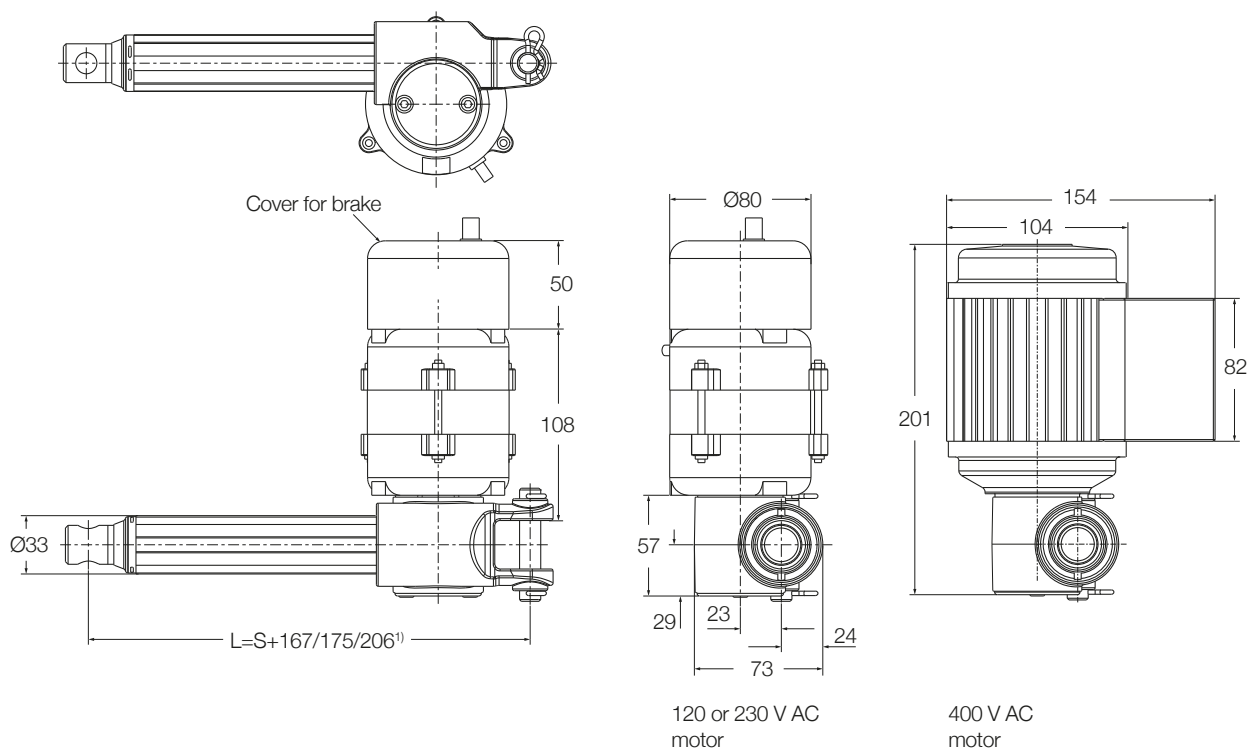
Technical data

	Unit	CAT 33 - AC version	CAT 33 - DC version	CAP 43A
Rated push load	N	800 to 3 000	800 to 3 000	1 000 to 3 000
Rated pull load	N	800 to 3 000	800 to 3 000	1 000 to 3 000
Speed (at full load)	mm/s	5 to 24 ¹⁾	5 to 52 ¹⁾	5 to 52 ¹⁾
Stroke	mm	100 to 400	100 to 400	100 to 400
Retracted length	mm	S+150/158/189 ²⁾	S+150/158/189 ²⁾	S+150/158/189 ²⁾
Voltage	V AC	120, 230 or 400	–	–
	V DC	–	12 or 24	24
Power consumption	120 V AC	W	98 (brake 133,2 W)	–
	230 V AC	W	92 (brake 117,3 W)	–
	400 V AC	W	80	–
	12 or 24 V DC	W	–	N/A
Current consumption	120 V AC	A	0,82 (brake +0,29 A)	–
	230 V AC	A	0,4 (brake + 0,11 A)	–
	400 V AC	A	0,2	–
	12 V DC	A	–	18
	24 V DC	A	–	9
	24 V DC	A	–	5 (for motors C24CW and D24CW)
Duty cycle	%	30	15	15
Ambient temperature	°C	–20 to +50	–20 to +50	–20 to +50
Type of protection	IP	20/54/55	20/44/66 ¹⁾	44
Weight	kg	2 to 2,7	2 to 2,7	2,0 to 2,7

¹⁾ Depending on selected motor

²⁾ Dimension depends on selected front attachment

Dimensional drawing – CAT 33 AC version



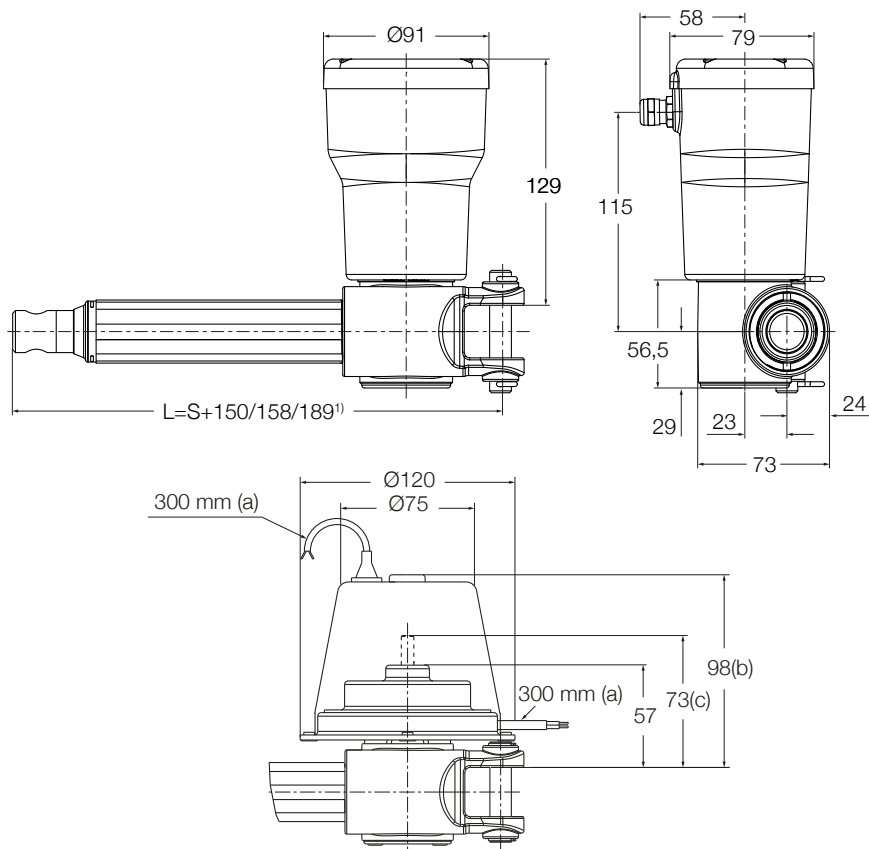
Legend:

S = stroke

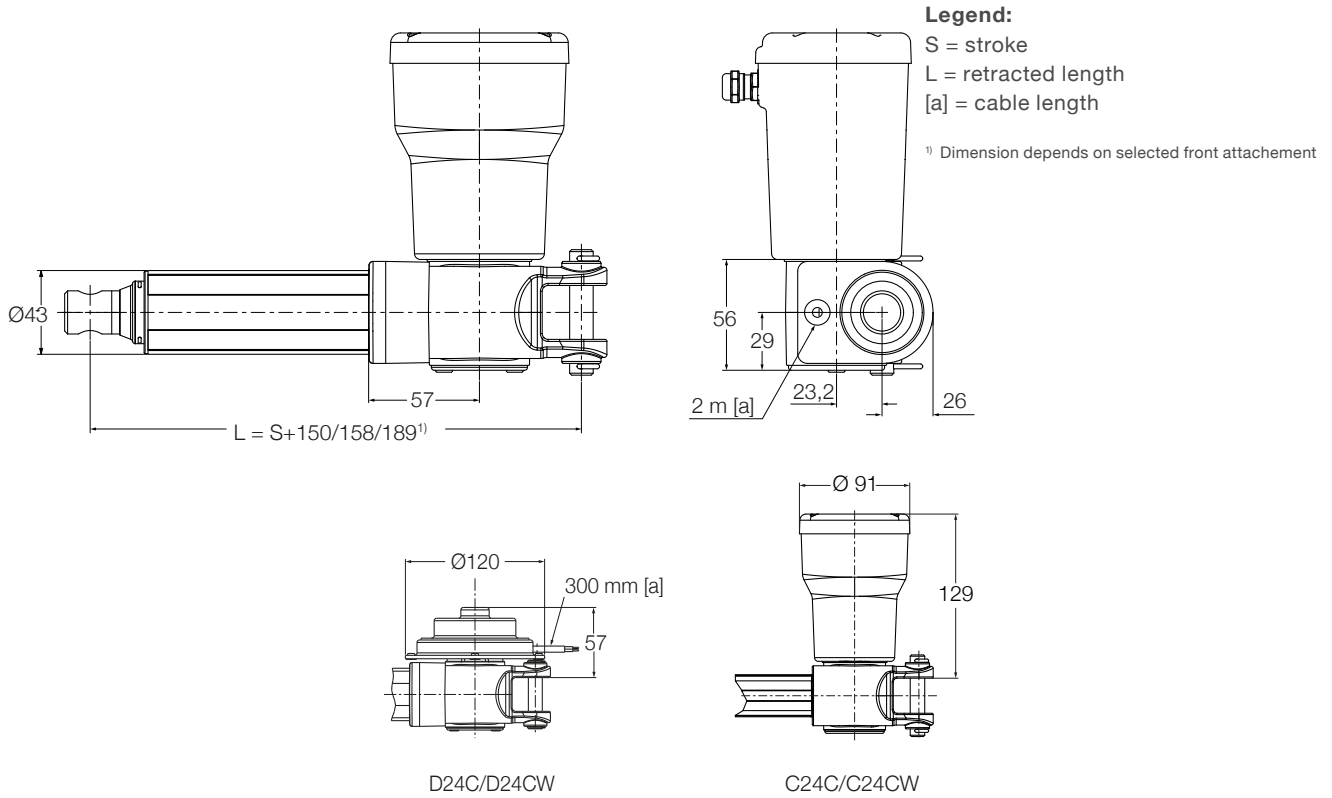
L = retracted length

¹⁾ Dimension depends on selected front attachment

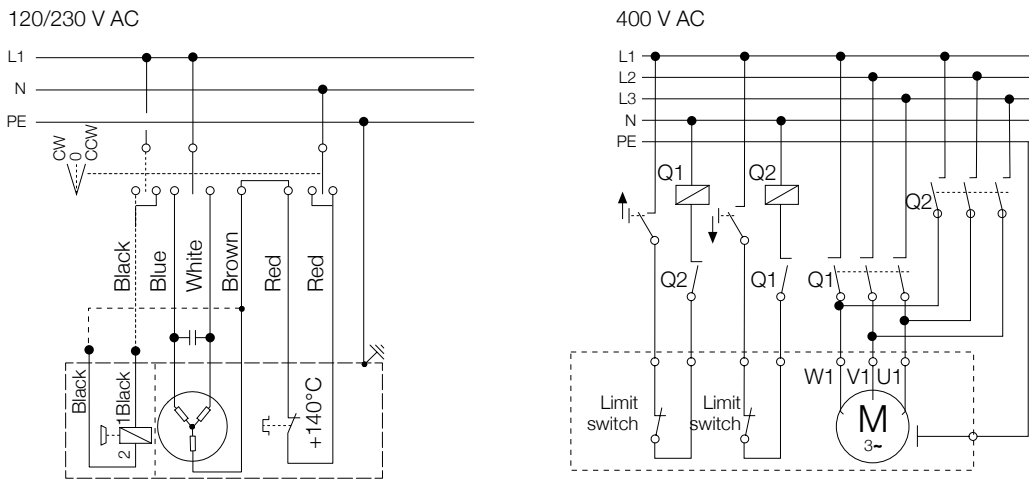
Dimensional drawing – CAT 33 DC version



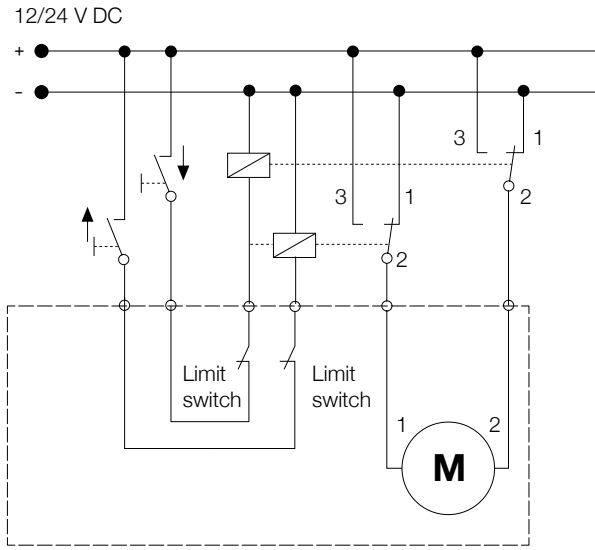
Dimensional drawing – CAP 43A



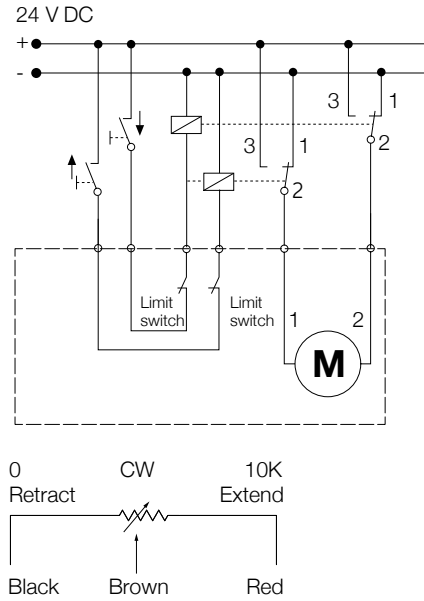
Connecting diagrams – CAT 33 AC version



Connecting diagrams – CAT 33 DC version



Connecting diagrams – CAP 43A



Connection diagram for linear potentiometer

Suitable control units and accessories AC version

	Limit switch	Encoder
E110C	• CAXD33	• E2
E110CB	•	•
E220C	•	•
E220CB	•	•
E380C	•	•

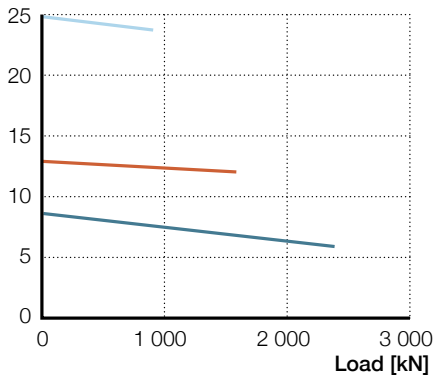
Suitable control units and accessories DC version

	Control units	Encoder
C12C		• E2
D12C		•
C24C		•
C24CW	• CAED 5-24R	•
D24C		•
D24CB		•
D24CS		•
D24CW	•	•

Performance diagrams – AC version

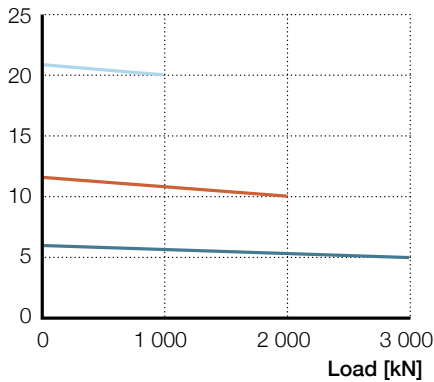
Speed-load diagram CAT 33 ... 120 V AC

Speed [mm/s]



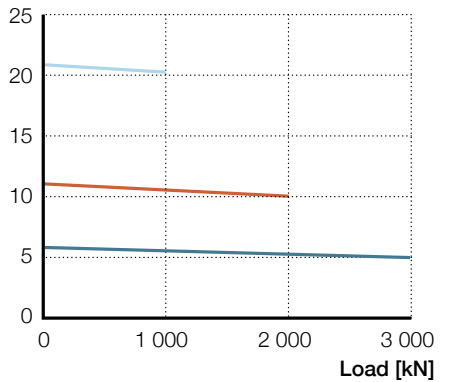
Speed-load diagram CAT 33 ... 230 V AC

Speed [mm/s]



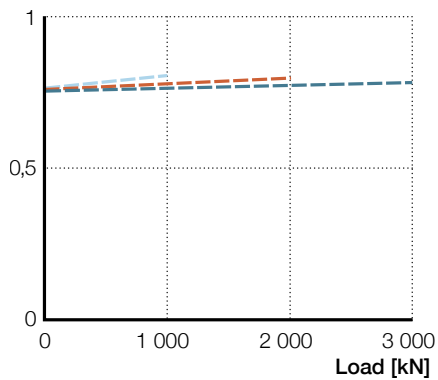
Speed-load diagram CAT 33 ... 400 V AC

Speed [mm/s]



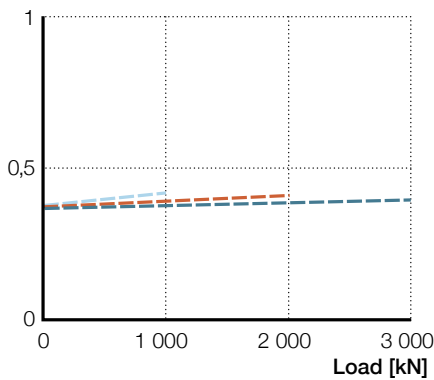
Current-load diagram CAT 33 ... 120 V AC

Current consumption [A]



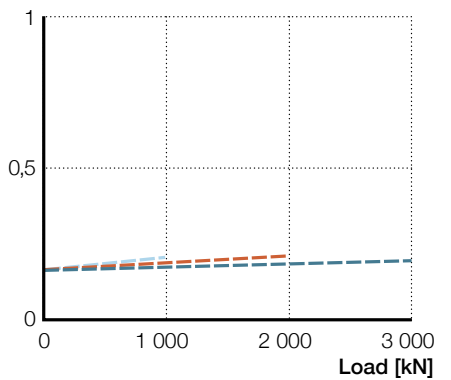
Current-load diagram CAT 33 ... 230 V AC

Current consumption [A]



Current-load diagram CAT 33 ... 400 V AC

Current consumption [A]



Gear 1 — V (mm/s) — I (A)

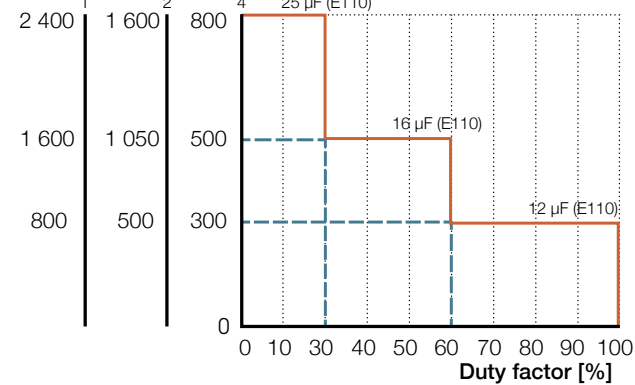
Gear 2 — V (mm/s) — I (A)

Gear 4 — V (mm/s) — I (A)

Duty cycle

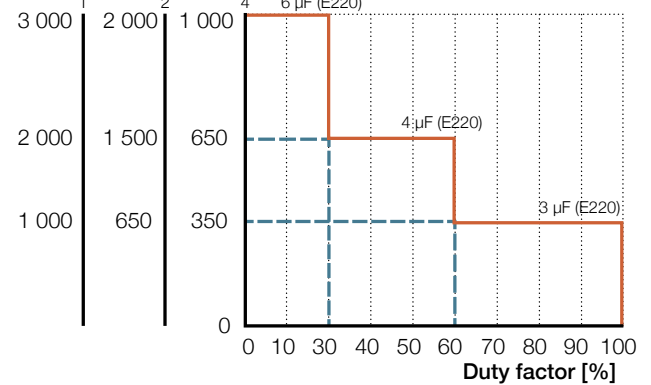
CAT 33 ... 120 V AC

F [N] Gear



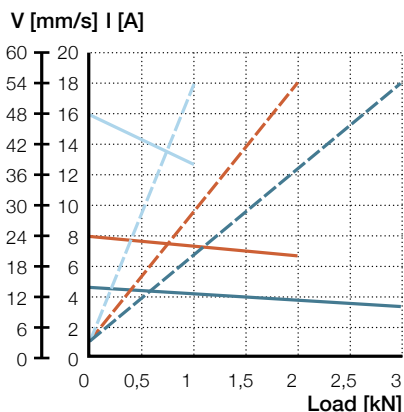
CAT 33 ... 230 V AC

F [N] Gear

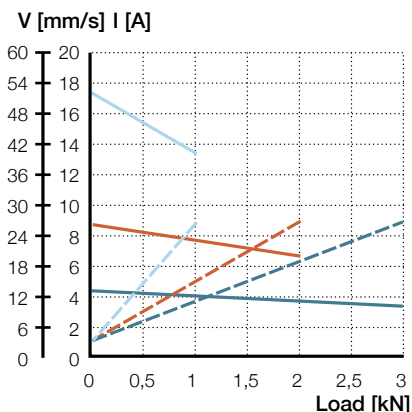


Performance diagrams – DC version

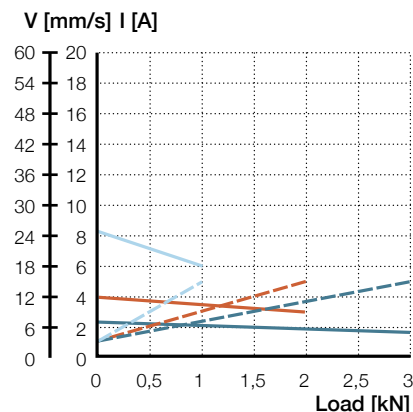
CAT 33.../C12C



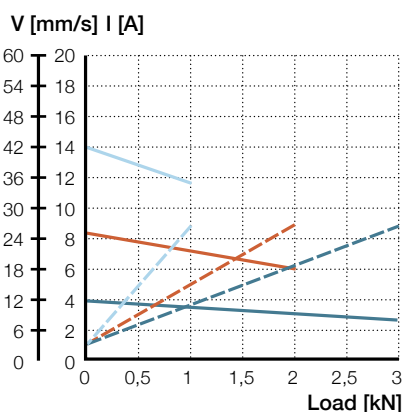
CAT 33.../C24C
CAP 43B.../C24C



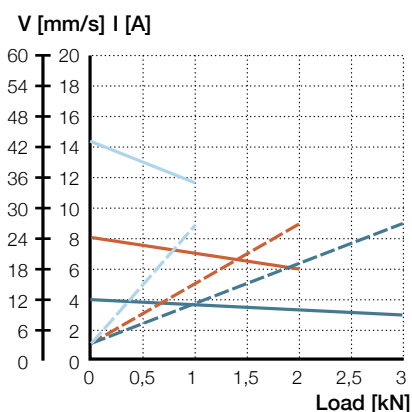
CAT 33.../C24CW
CAP 43B.../C24CW



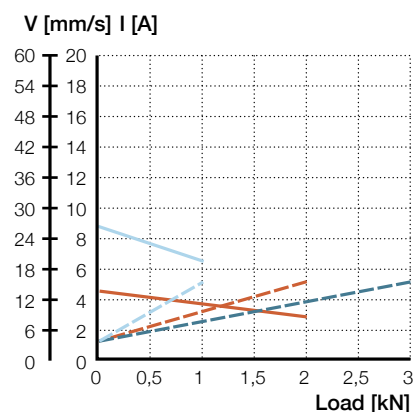
CAT 33.../D12C



CAT 33.../D24C/D24CB/D24CS
CAP 43B.../D24C



CAT 33.../D24CW
CAP 43B.../D24CW



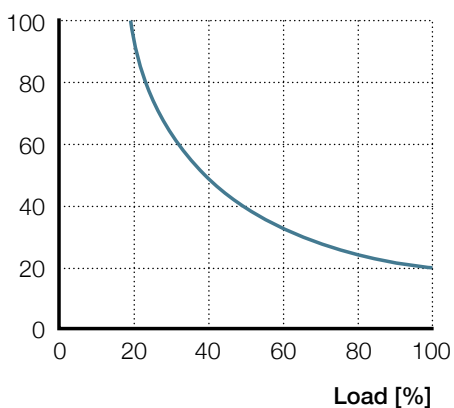
Gear 1 — V (mm/s) — I (A)

Gear 2 — V (mm/s) — I (A)

Gear 4 — V (mm/s) — I (A)

Duty cycle – DC version

Duty factor [%] at 20 °C



CAT 33 – Type codes for accessories and spare parts

Item code	Type code	Order N°
12 V DC motor (cylindrical motor)	C12C	M/0405535
12 V DC motor (flat motor)	D12C	M/0405518
24 V DC motor (cylindrical motor)	C24C	M/0405536
24 V DC motor (cylindrical with low speed)	C24CW	M/0405537
24 V DC motor (flat motor)	D24C	M/0405519
24 V DC motor (flat motor with brake)	D24CB	M/0405523
24 V DC motor (flat motor with extended shaft)	D24CS	M/0405522
24 V DC motor (flat motor with low speed)	D24CW	M/0405521
120 V AC motor (cylindrical motor)	E110C	M/0405533
120 V AC motor (cylindrical motor with brake)	E110CB	M/0405534
230 V AC motor (cylindrical motor)	E220C	M/0405531
230 V AC motor (cylindrical motor with brake)	E220CB	M/0405532
400 V AC motor (cylindrical motor)	E380C	M/0411607
Capacitor value 25 μ F (120 V AC)	Capacitor 25 μ F	M/0430670-06
Capacitor value 6 μ F (230 V AC)	Capacitor 6 μ F	M/0430670-03
Limit switch for any stroke, normally closed	CAXD33, NC	M/0440054
Limit switch for any stroke, normally open	CAXD33, NO	M/0440053
Front mounting attachments type Rod-end	575-32	M/0430575-32
Front mounting attachments type Clevis	576-32	M/0430576-32
Rear mounting attachments type Single ear bracket	580-32	M/0430580-32
Rear mounting attachments type Universal joint	582-32	M/0431780-32
Control unit (suitable for D24CW,C24CW motor)	CAED 5-24R	M/0420209

CAP 43A – Type codes for accessories and spare parts

Item code	Type code	Order N°
24 V DC motor (cylindrical motor)	C24C	M/0405536
24 V DC motor (cylindrical with low speed)	C24CW	M/0405537
24 V DC motor (flat motor)	D24C	M/0405519
24 V DC motor (flat motor with low speed)	D24CW	M/0405521
Front mounting attachments type Rod-end	575-32	M/0430575-32
Front mounting attachments type Clevis	576-32	M/0430576-32
Rear mounting attachments type Single ear bracket	580-32	M/0430580-32
Rear mounting attachments type Universal joint	582-32	M/0431780-32

Ordering key

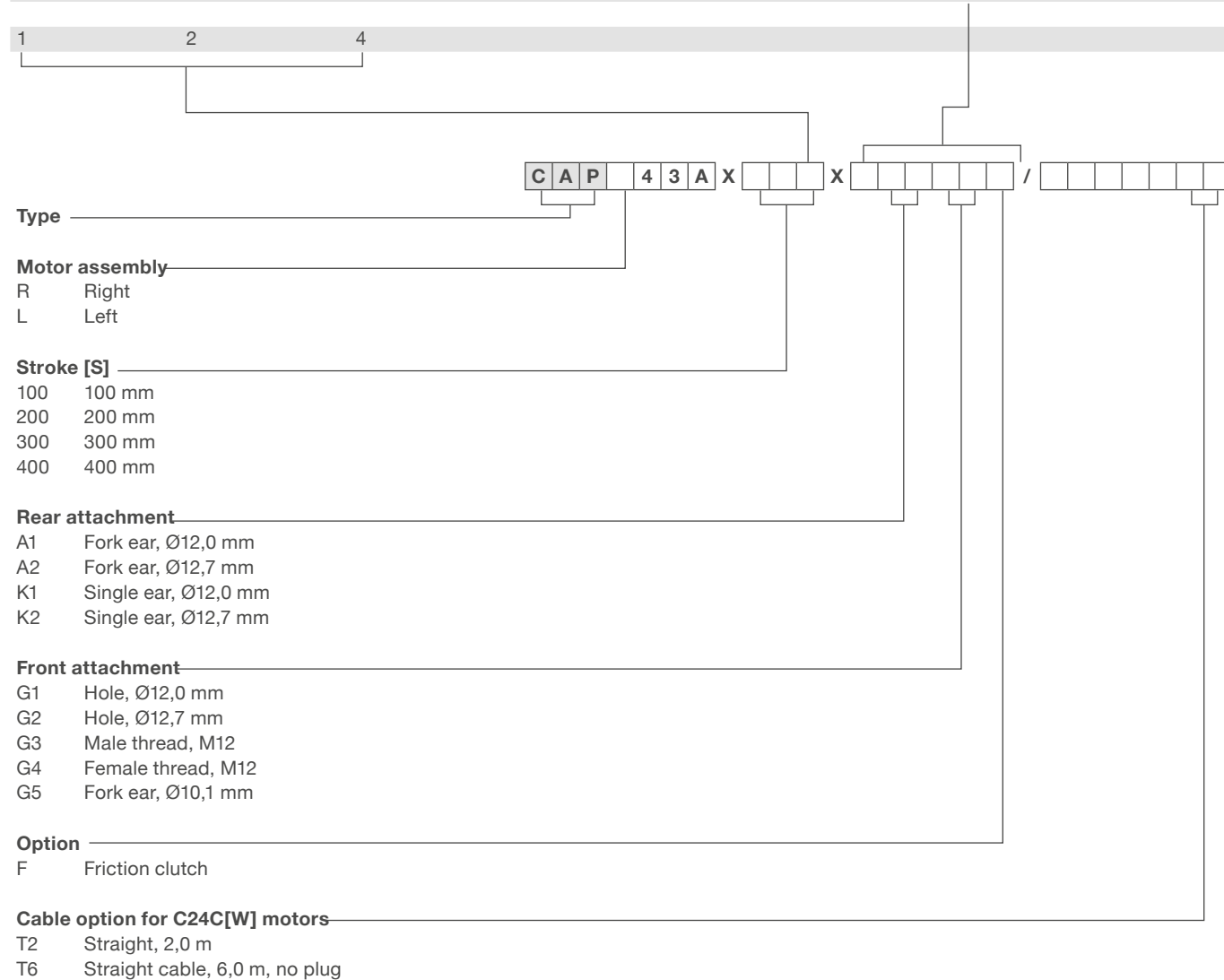
Load [N] / Full Load Speed [mm/s]			Motor options	
3 000/xx	2 000/xx	1 000/xx	No motor	0000
2 400/6	1 600/12	800/24	120 V AC/60 Hz, 1-phase, IP54	E110C
2 400/6	1 600/12	800/24	120 V AC/60 Hz, 1-phase, brake, IP20	E110CB
3 000/5	2 000/10	1 000/20	230 V AC/50 Hz, 1-phase, IP54	E220C
3 000/5	2 000/10	1 000/20	230 V AC/50 Hz, 1-phase, brake, IP20	E220CB
3 000/5	2 000/10	1 000/20	400 V AC/50 Hz, 3-phase, IP55	E380C
3 000/xx	2 000/xx	1 000/xx	No motor	0000
3 000/13-10	2 000/24-20	1 000/48-38	12 V DC, IP44 (65)	C12C
2 400/ 11-7	1 600/21-15	800/39-21	12 V DC, flat motor, IP44	D12C
3 000/13-10	2 000/26-20	1 000/52-40	24 V DC, IP44 (65)	C24C
3 000/7-5	2 000/13-9	1 000/25-18	24 V DC, low speed, IP44 (65)	C24CW
3 000/12-9	2 000/25-18	1 000/43-35	24 V DC, flat motor, IP44	D24C
3 000/12-9	2 000/25-18	1 000/43-35	24 V DC, flat motor, brake, IP20	D24CB
3 000/12-9	2 000/25-18	1 000/43-35	24 V DC, flat motor, IP44, ext. shaft	D24CS
3 000/7-5	2 000/13-8	1 000/26-19	24 V DC, flat motor, low speed, IP44	D24CW

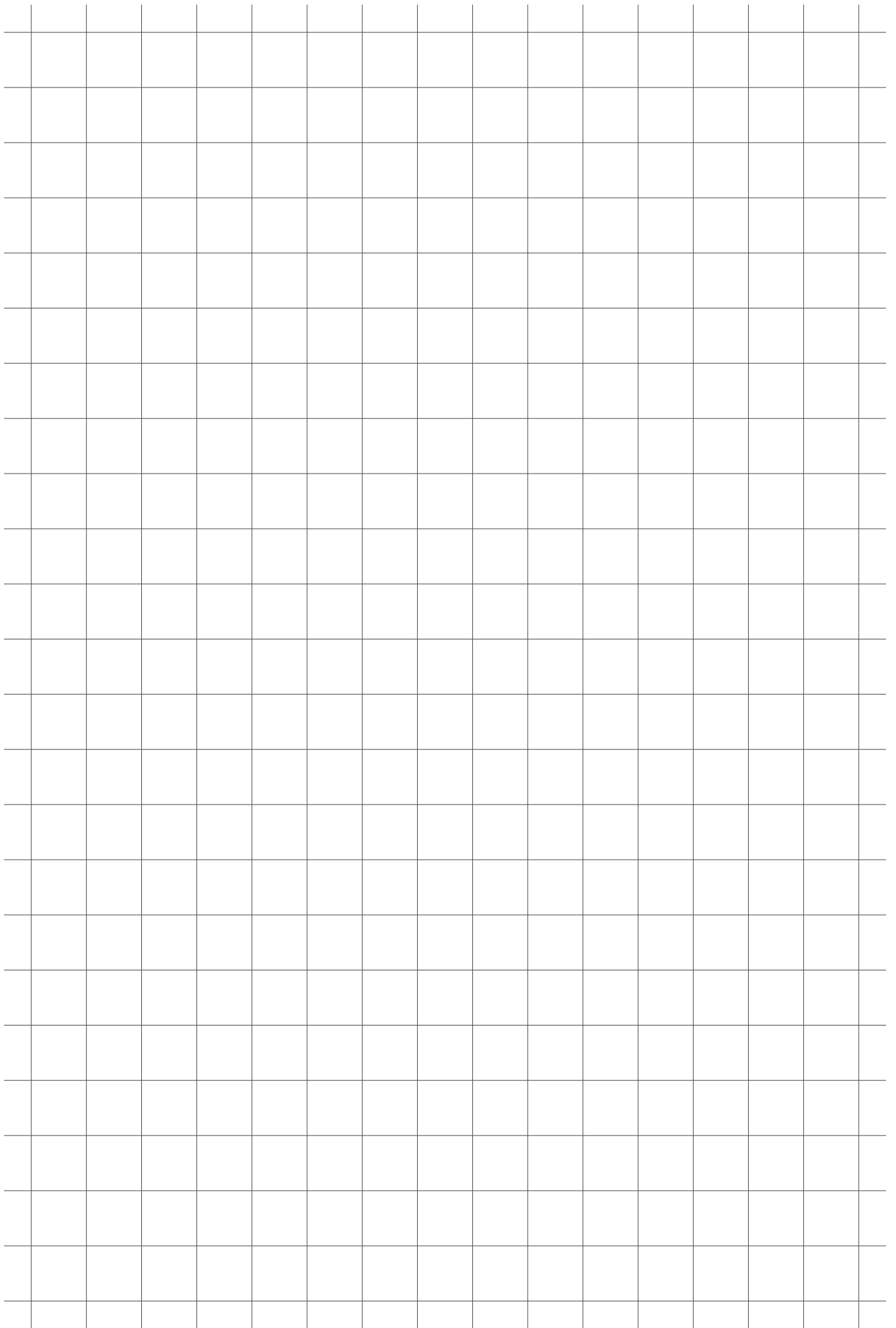


Options shown in red are only available on request. Contact Ewellix for more information on minimum quantities and additional costs.

Ordering key

Load [N] / Full Load Speed [mm/s]			Motor options	
3 000/xx	2 000/xx	1 000/xx	No motor	0000
3 000/13-10	2 000/26-20	1 000/52-40	24 VDC, IP44	C24C
3 000/7-5	2 000/13-9	1 000/25-18	24 VDC, IP44	C24CW
3 000/12-9	2 000/25-18	1 000/43-35	24 VDC, flat motor, IP44	D24C
3 000/7-5	2 000/13-8	1 000/26-19	24 VDC, flat motor, low speed, IP44	C24CW





CAT 33H

Linear actuator



Benefits

- Compact
- Robust
- Modular
- Lubricated for service life
- High efficiency
- Digital encoder feedback

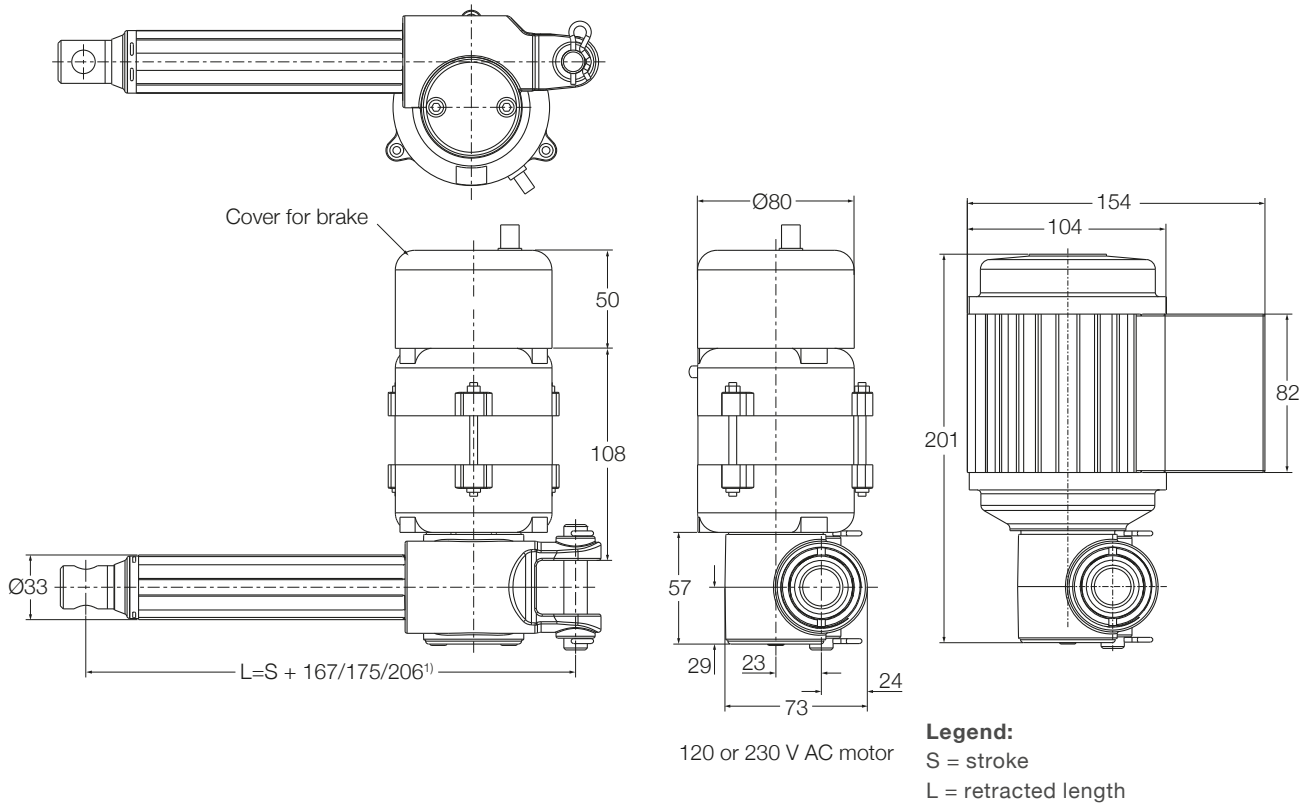
Technical data

		Unit	CAT 33H – AC version	CAT 33H – DC version
Rated push load		N	500 to 1 200	400 to 1 200
Rated pull load		N	500 to 1 200	400 to 1 200
Speed (at full load)		mm/s	20 to 90 ¹⁾	17 to 193 ¹⁾
Stroke		mm	100 to 400	100 to 400
Retracted length		mm	S+150/158/189 ²⁾	S+150/158/189 ²⁾
Voltage		V AC	120, 230 or 400	–
		V DC	–	12 or 24
Power consumption	120 V AC	W	98 (brake 133,2 W)	–
	230 V AC	W	92 (brake 117,3 W)	–
	400 V AC	W	80	–
	12 or 24 V DC	W	–	N/A
Current consumption	120 V AC	A	0,82 (brake +0,29 A)	–
	230 V AC	A	0,4 (brake +0,11 A)	–
	400 V AC	A	0,2	–
	12 V DC	A	–	18
	24 V DC	A	–	9
	24 V DC	A	–	5 (for motors C24CW and D24CW)
Duty cycle		%	30	20
Ambient temperature		°C	–20 to +50	–20 to +50
Type of protection		IP	20/54/55	20/44/66 ¹⁾
Weight		kg	2 to 2,7	2 to 2,7

¹⁾ Depending on selected motor

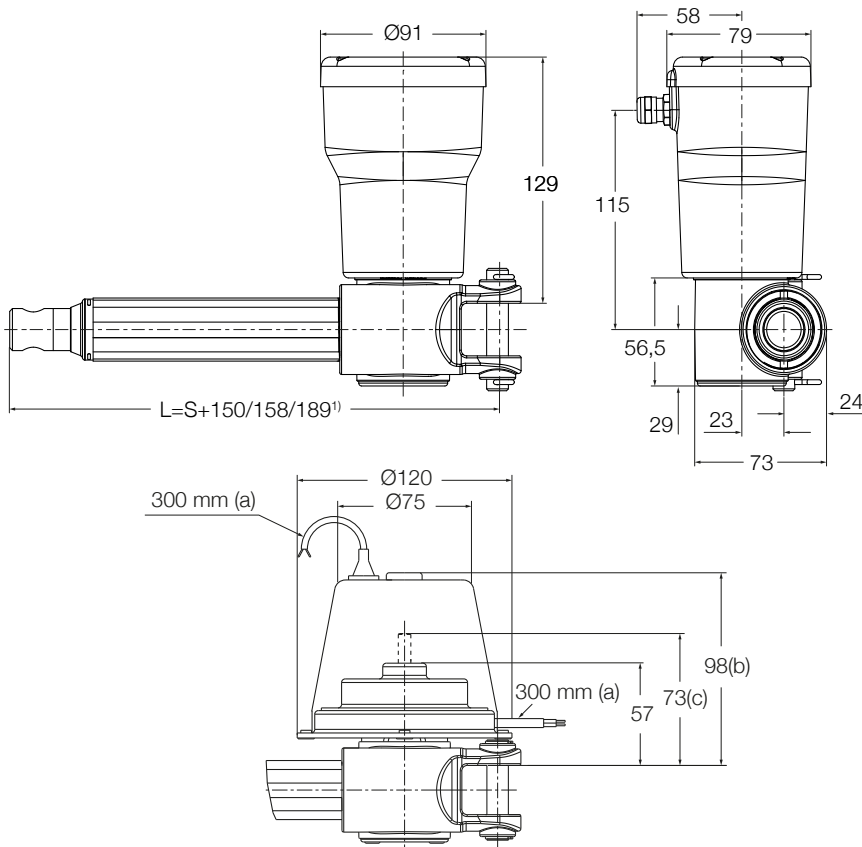
²⁾ Dimension depends on selected front attachment

Dimensional drawing – AC version



¹⁾ Dimension depends on selected front attachment

Dimensional drawing – DC version

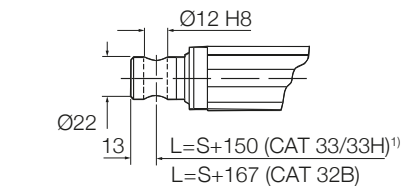


¹⁾ Dimension depends on selected front attachment

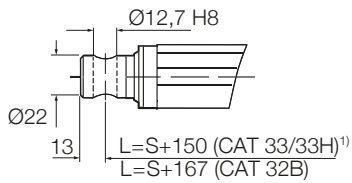
D12C, D24C, D24CB, D24CS, D24CW

Detailed drawings of front and rear attachments for CAT and CAP 43 and motor options for CAT

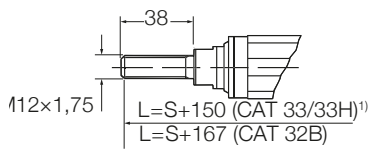
Front attachments and retracted length



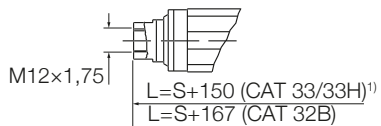
G1



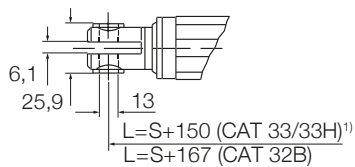
G2



G3

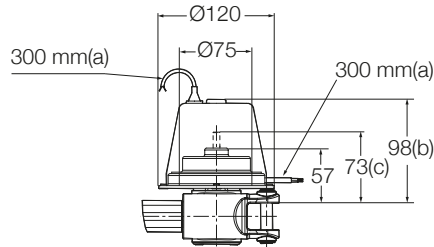


G4

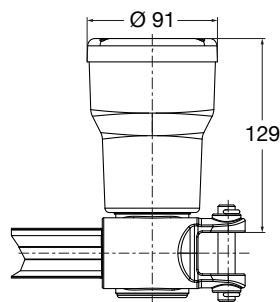


G5

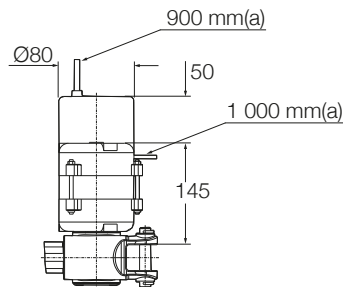
Motor options for CAT



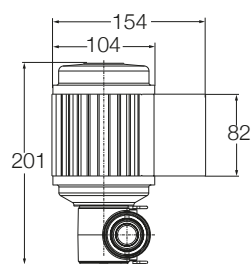
D12C, D24C, D24CB, D24CS, D24CW



C12XX/C24XX

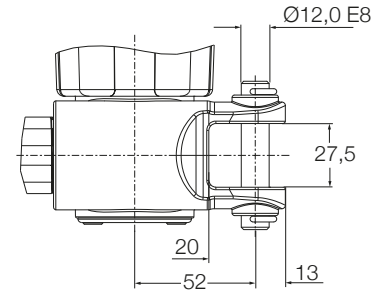


E110C, E110CB, E220C, E220CB

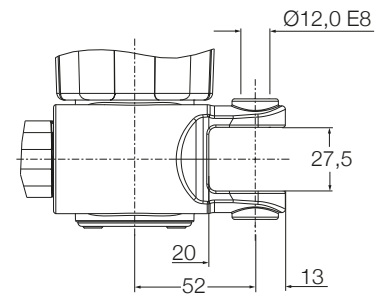


E380C

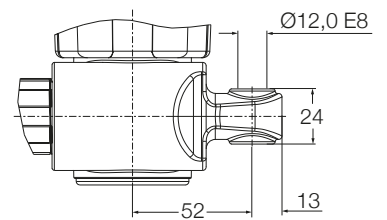
Rear attachments



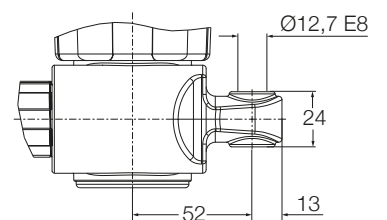
A1



A2



K1



K2

Legend:

S = stroke

L = retracted length

(a) = cable length

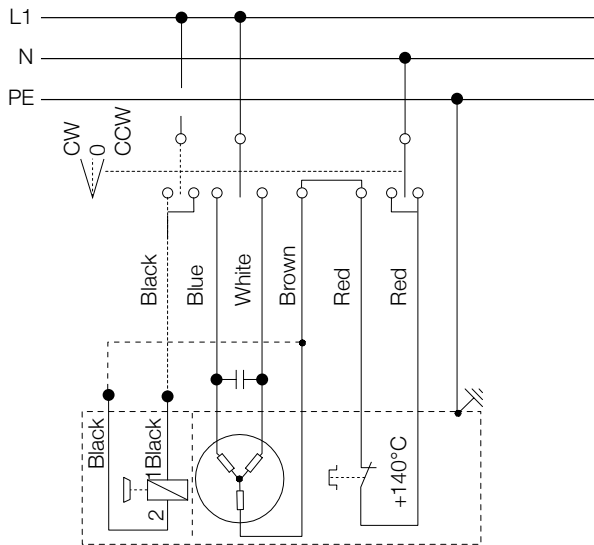
(b) = cover for brake

(c) = extended shaft

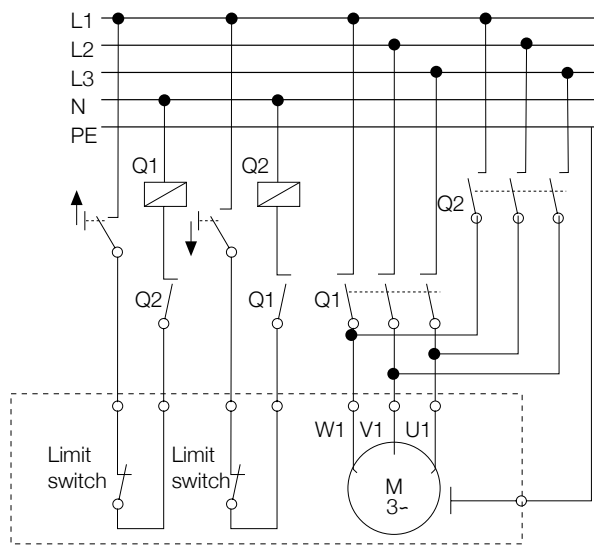
¹⁾ If S = 400, add 50 mm to retracted length.

Connecting diagrams – AC version

120/230 V AC

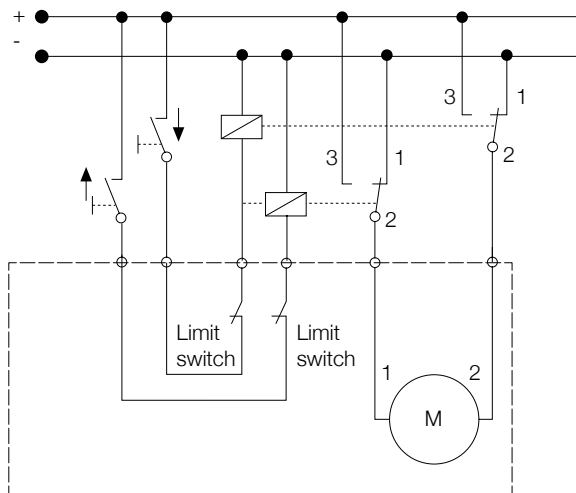


400 V AC

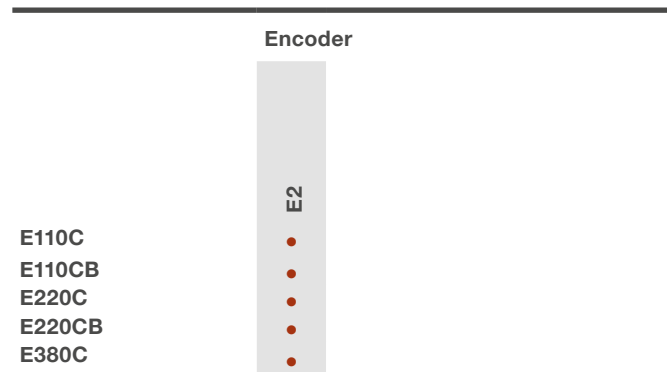


Connecting diagrams – DC version

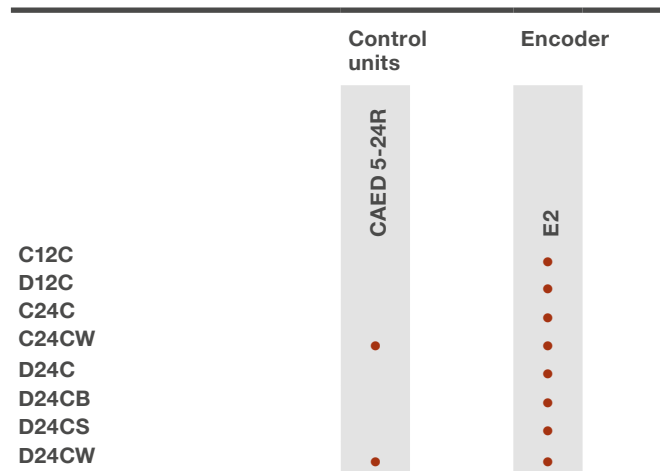
12/24 V DC



**Suitable control units and accessories
AC version**



**Suitable control units and accessories
DC version**

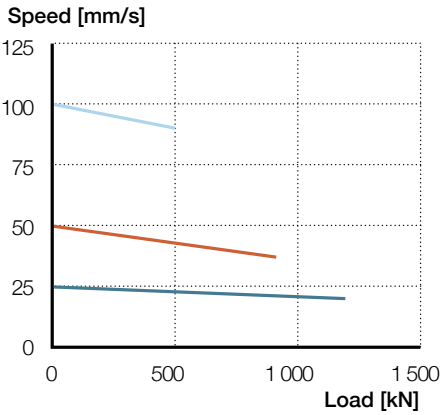


CAT 33H – Type codes for accessories and spare parts

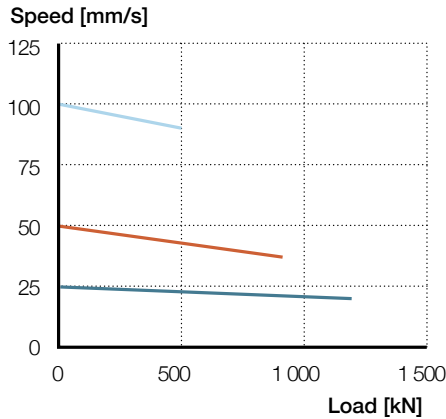
Item code	Type code	Order N°
12 V DC motor (cylindrical motor)	C12C	M/0405535
12 V DC motor (flat motor)	D12C	M/0405518
24 V DC motor (cylindrical motor)	C24C	M/0405536
24 V DC motor (cylindrical with low speed)	C24CW	M/0405537
24 V DC motor (flat motor)	D24C	M/0405519
24 V DC motor (flat motor with brake)	D24CB	M/0405523
24 V DC motor (flat motor with extended shaft)	D24CS	M/0405522
24 V DC motor (flat motor with low speed)	D24CW	M/0405521
120 V AC motor (cylindrical motor)	E110C	M/0405533
120 V AC motor (cylindrical motor with brake)	E110CB	M/0405534
230 V AC motor (cylindrical motor)	E220C	M/0405531
230 V AC motor (cylindrical motor with brake)	E220CB	M/0405532
400 V AC motor (cylindrical motor)	E380C	M/0411607
Capacitor value 25 µF (120 V AC)	Capacitor 25 µF	M/0430670-06
Capacitor value 6 µF (230 V AC)	Capacitor 6 µF	M/0430670-03
Front mounting attachments type Rod-end	575-32	M/0430575-32
Front mounting attachments type Clevis	576-32	M/0430576-32
Rear mounting attachments type Single ear bracket	580-32	M/0430580-32
Rear mounting attachments type Universal joint	582-32	M/0431780-32
Control unit (suitable for D24CW,C24CW motor)	CAED 5-24R	M/0420209

Performance diagrams – AC version

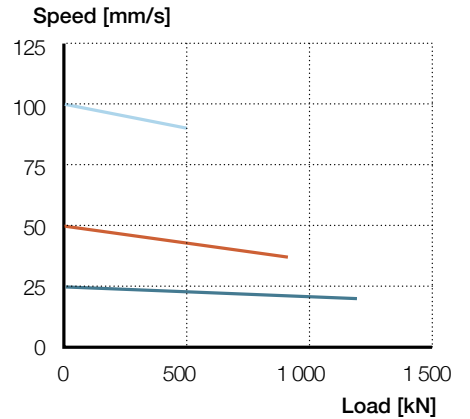
Speed-load diagram CAT 33H ... 120 V AC



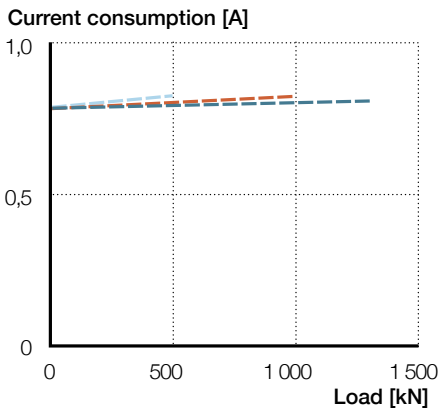
Speed-load diagram CAT 33H ... 230 V AC



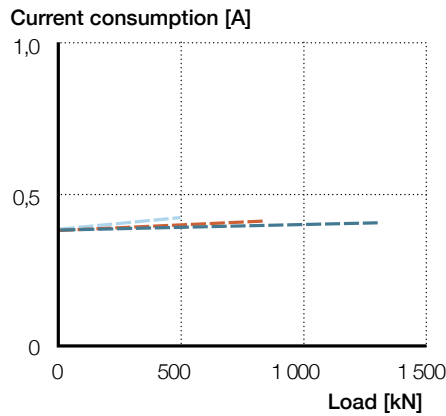
Speed-load diagram CAT 33H ... 400 V AC



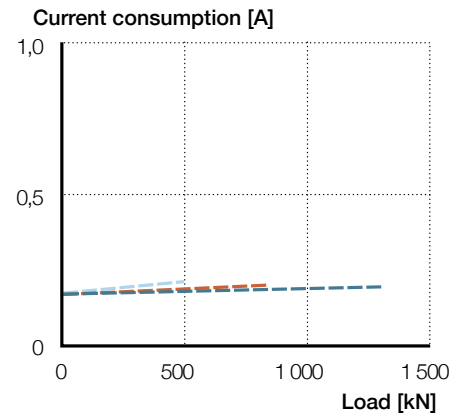
Current-load diagram CAT 33H ... 120 V AC



Current-load diagram CAT 33H ... 230 V AC



Current-load diagram CAT 33H ... 400 V AC

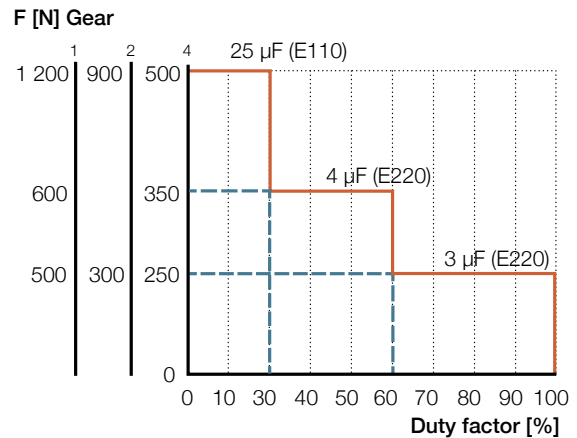
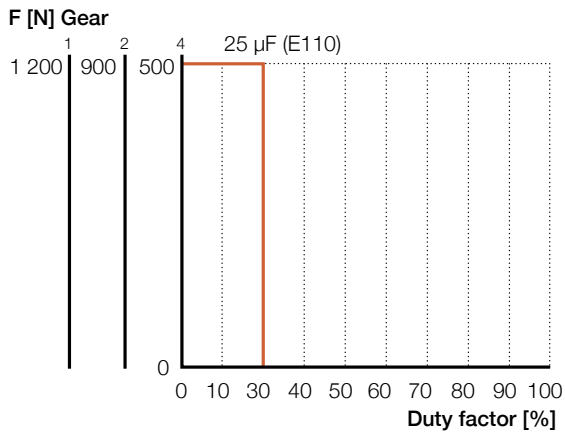


Gear 1 — V (mm/s) — I (A)

Gear 2 — V (mm/s) — I (A)

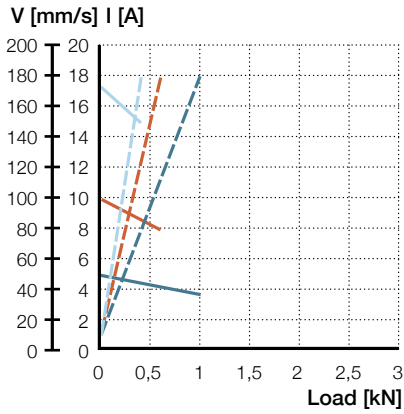
Gear 4 — V (mm/s) — I (A)

Duty cycle

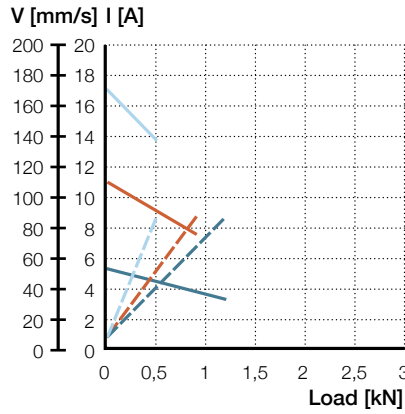


Performance diagrams – DC version

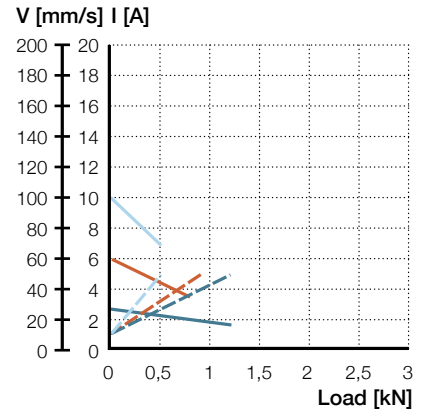
CAT 33H.../C12C



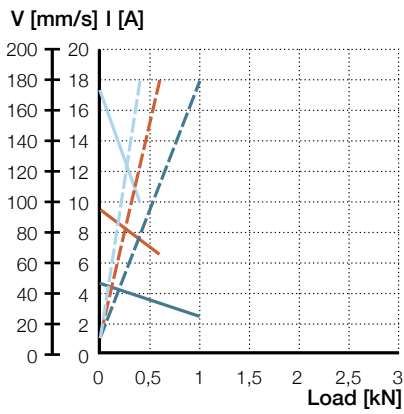
CAT 33H.../C24C



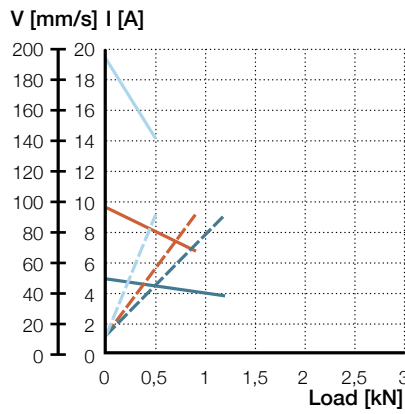
CAT 33H.../C24CW



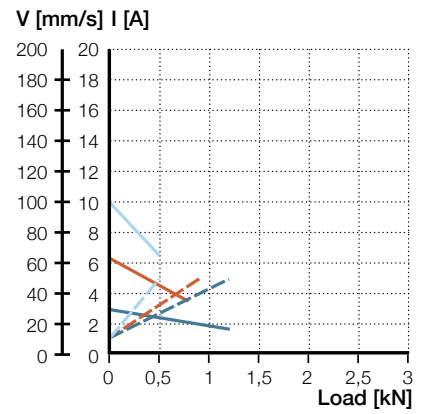
CAT 33H.../D12C



CAT 33H.../D24C/D24CB/D24CS



CAT 33H.../D24CW



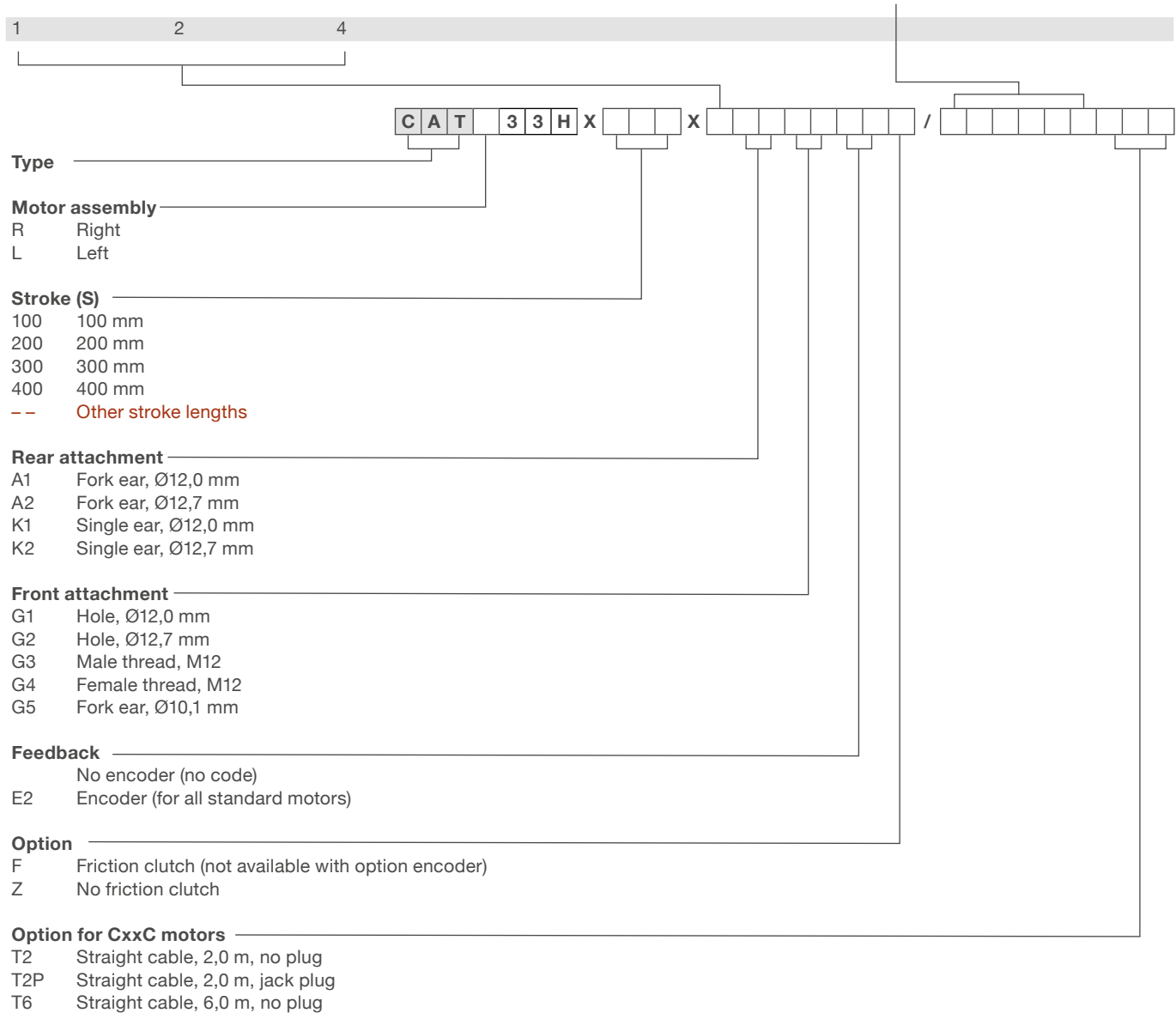
Gear 1 — V (mm/s) — I (A)

Gear 2 — V (mm/s) — I (A)

Gear 4 — V (mm/s) — I (A)

Ordering key

Load [N] / Full Load Speed [mm/s]			Motor options	
1 200/xx	900/xx	600/xx	No motor	0000
1 200/20	900/37	500/90	120 V AC/60 Hz, 1-phase, IP54	E110C
1 200/20	900/37	500/90	120 V AC/60 Hz, 1-phase, brake, IP20	E110CB
1 200/20	900/37	500/90	230 V AC/50 Hz, 1-phase, IP54	E220C
1 200/20	900/37	500/90	230 V AC/50 Hz, 1-phase, brake, IP20	E220CB
1 200/20	900/37	500/90	400 V AC/50 Hz, 3-phase, IP55	E380C
1 200/xx	900/xx	600/xx	No motor	0000
1 200/50-38	600/100-80	400/174-150	12 V DC, IP44 (65)	C12C
1 200/47-25	600/95-65	400/170-100	12 V DC, flat motor, IP44	D12C
1 200/56-36	600/113-79	500/174-140	24 V DC, IP44 (65)	C24C
1 200/27-17	600/60-35	500/100-69	24 V DC, low speed motor, IP44 (65)	C24CW
1 200/48-37	600/95-65	500/193-140	24 V DC, flat motor, IP44	D24C
1 200/48-37	600/95-65	500/193-140	24 V DC, flat motor, brake, IP20	D24CB
1 200/48-37	600/95-65	500/193-140	24 V DC, flat motor, ext.shaft, IP44	D24CS
1 200/30-17	600/63-35	500/100-65	24 V DC, flat motor, low speed, IP44	D24CW



Options shown in red are only available on request. Contact Ewellix for more information on minimum quantities and additional costs.

CAR 40

Linear actuator

Benefits

- Reliable and robust industrial actuator
- Wide range of components
- Right- and left-hand version

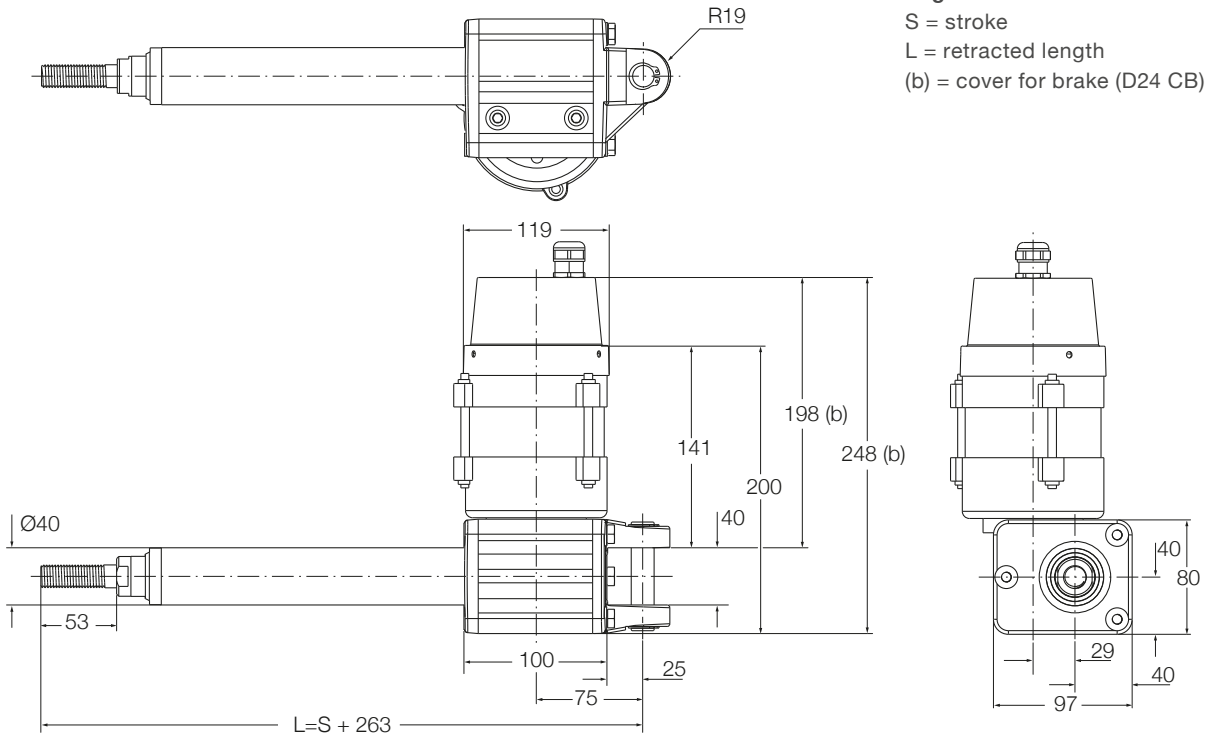


Technical data - AC version

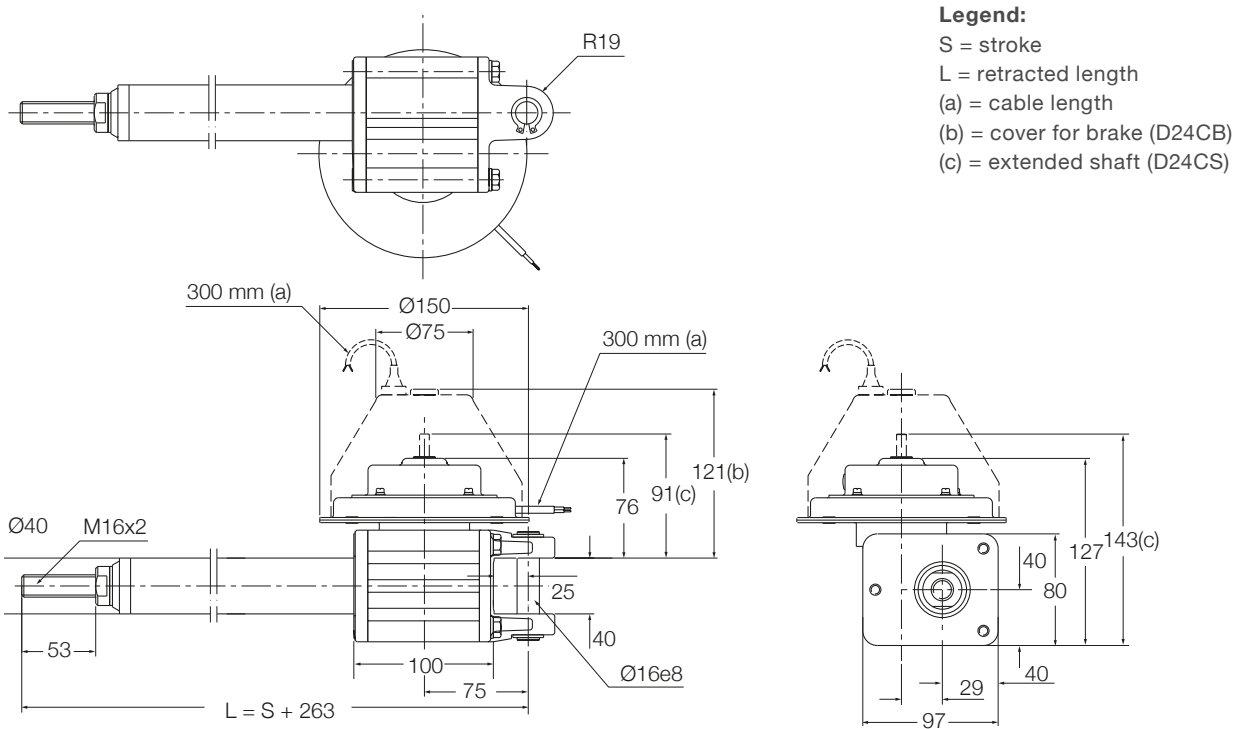
	Unit	CAR 40 - AC version	CAR 40 - DC version
Rated push load	N	2 000 to 6 000	2 000 to 6 000
Rated pull load	N	2 000 to 6 000	2 000 to 6 000
Speed (at full load)	mm/s	9 to 40 ¹⁾	10 to 60
Stroke	mm	100 to 700	100 to 700
Retracted length	mm	S+263	S+263
Voltage	V AC	120 or 230	–
	V DC	–	24
Power consumption	120 V AC W	360	–
	230 V AC W	299	–
	24 V DC W	–	N/A
Current consumption	120 V AC A	3 (brake +0,29 A)	–
	230 V AC A	1,3 (brake +0,11 A)	–
	24 V DC A	–	16
Duty cycle	%	40	25
Ambient temperature	°C	–20 to +70	–20 to +70
Type of protection	IP	20/54	20/44
Weight	kg	5,8 to 8,4	5,8 to 8,4

¹⁾ Depending on selected motor

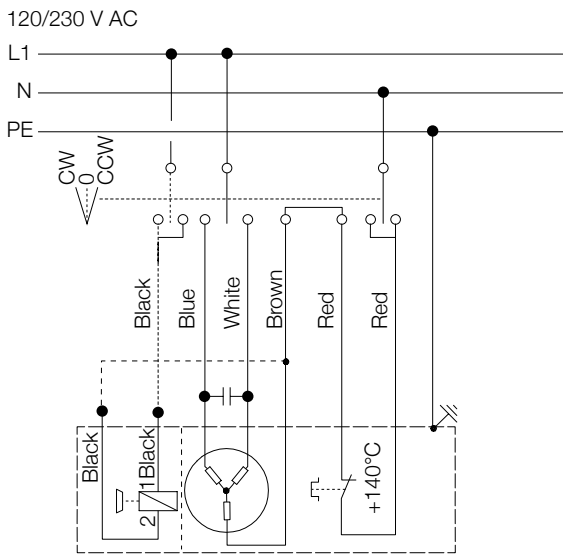
Dimensional drawing – AC version



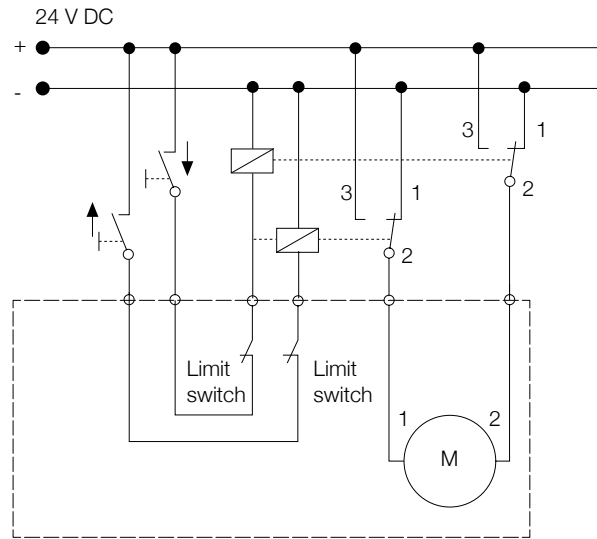
Dimensional drawing – DC version



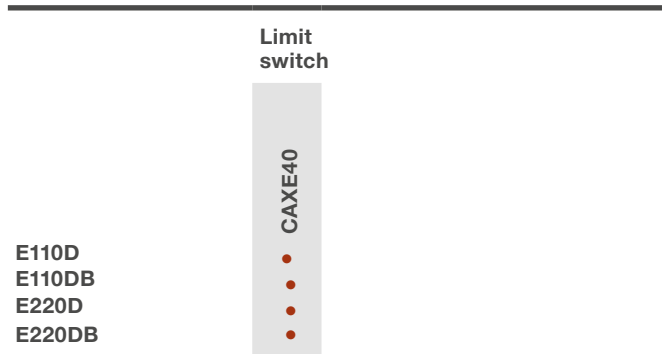
Connecting diagrams – AC version



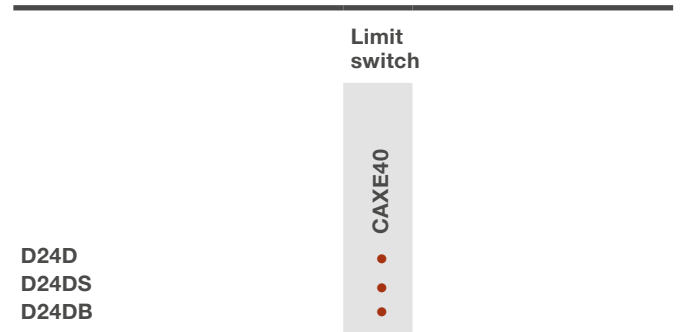
Connecting diagrams – DC version



Suitable control unit and accessories AC version



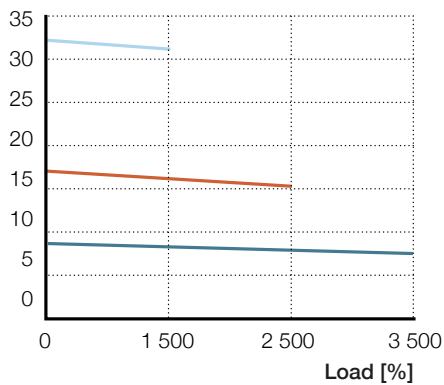
Suitable control unit and accessories DC version



Performance diagrams – AC version

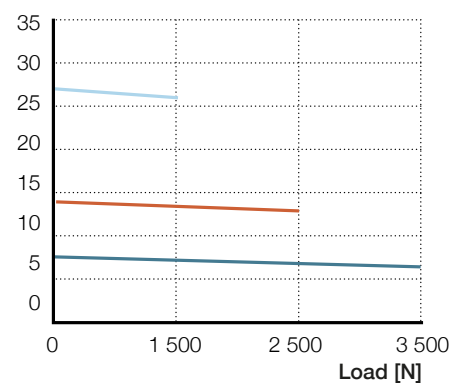
Speed-load diagram CAR 40 ... 120 V AC

Duty factor [%] at 20 °C



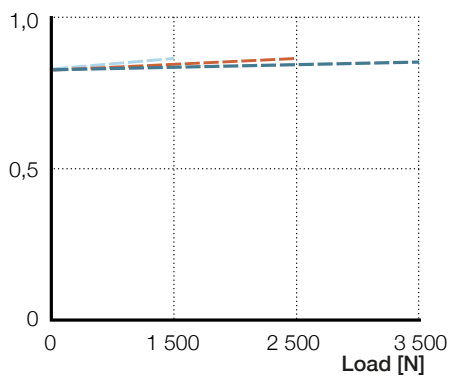
Speed-load diagram CAR 40 ... 230 V AC

Speed [mm/s]



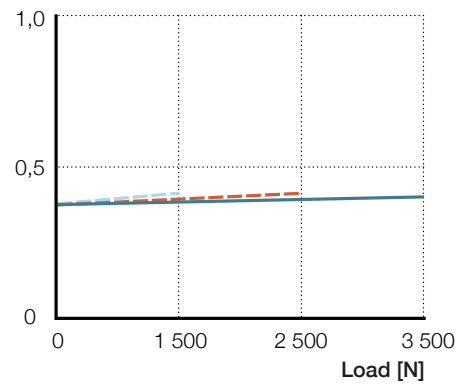
Current-load diagram CAR 40 ... 120 V AC

Current consumption [A]



Current-load diagram CAR 40 .. 230 V AC

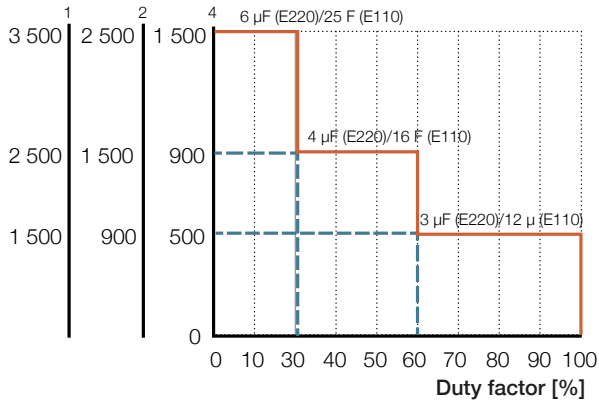
Current consumption [A]



Gear 1 — V (mm/s) — I (A) Gear 2 — V (mm/s) — I (A) Gear 4 — V (mm/s) — I (A)

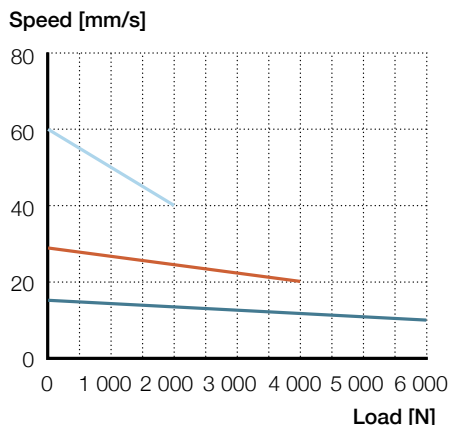
Duty cycle – AC version

F [N] Gear

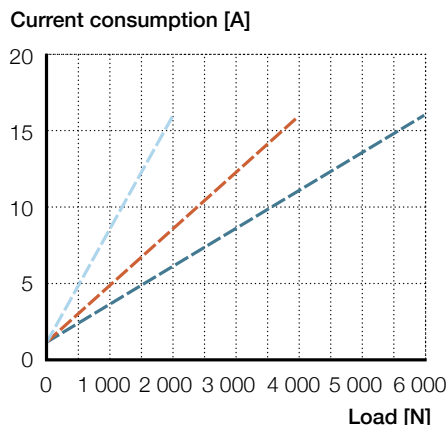


Performance diagrams – DC version

Speed-load diagram CAR 40 ... 24 V DC



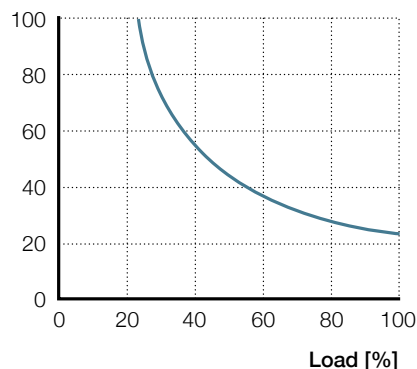
Current-load diagram CAR 40 ... 24 V DC



Gear 1 — V (mm/s) — I (A) Gear 2 — V (mm/s) — I (A) Gear 4 — V (mm/s) — I (A)

Duty cycle – DC version

Duty factor [%] at 20 °C

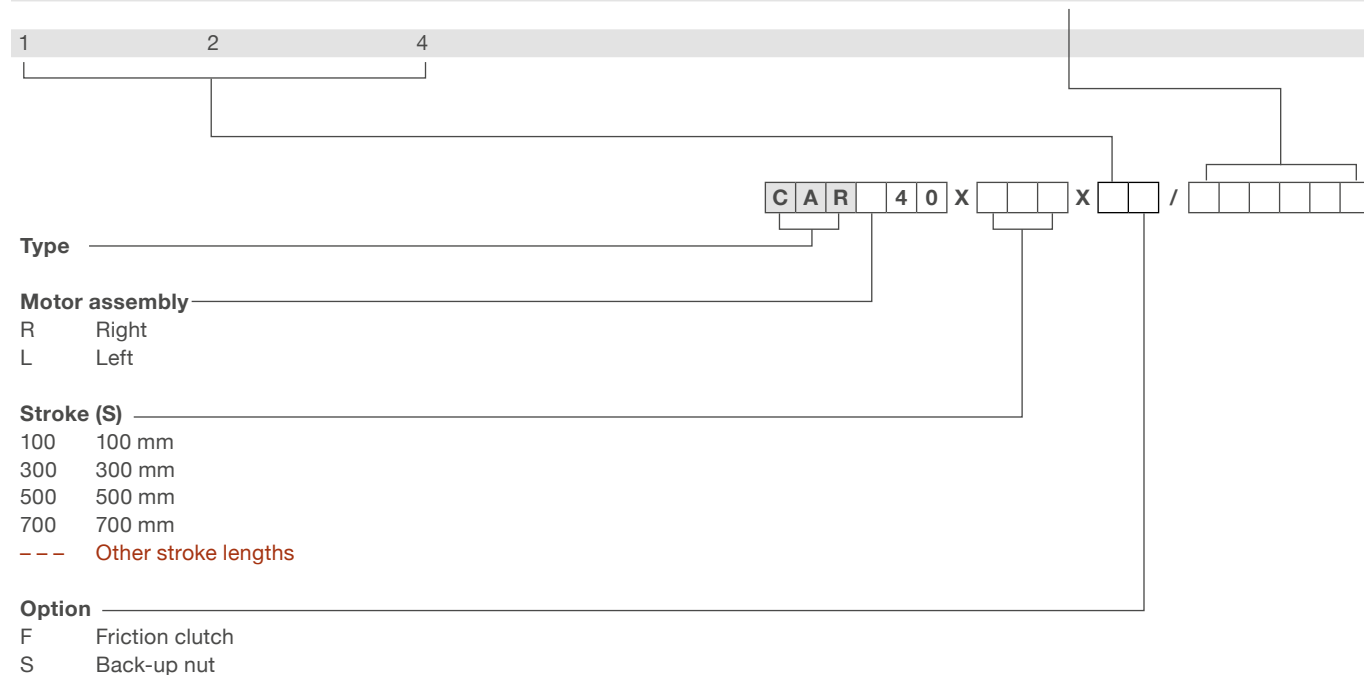


CAR 40 – Type codes for accessories and spare parts

Item code	Type code	Order N°
24 V DC motor (flat motor)	D24D	M/0405524
24 V DC motor (flat motor with extended shaft)	D24DS	M/0405526
24 V DC motor (flat motor with brake)	D24DB	M/0405525
120 V AC motor (cylindrical motor)	E110D	M/0405529
120 V AC motor (cylindrical motor with brake)	E110DB	M/0405530
230 V AC motor (cylindrical motor) E220D M/0405527	590-40	M/0430590-40
230 V AC motor (cylindrical motor with brake)	E220DB	M/0405528
Capacitor value 12 µF (230 VAC-motor)	Capacitor 12 µF	M/0430670-04
Limit switch for stroke =100 mm	CAXE 40 × 100	M/0412051
Limit switch for stroke =300 mm	CAXE 40 × 300	M/0412054
Limit switch for stroke =500 mm	CAXE 40 × 500	M/0412056
Limit switch for stroke =700 mm	CAXE 40 × 700	M/0412057
Proximity switch for CAXE	CAXE Proximity switch	M/0432369
Front mounting attachments type Rod-end	575-40	M/0430575-40
Front mounting attachments type Clevis	576-40	M/0430576-40
Rear mounting attachments type Single ear bracket	590-40	M/0430590-40
Rear mounting attachments type Ball-joint bracket	581-40	M/0430581-40

Ordering key

Dynamic load [N] / Speed [mm/s]			Motor options	
6 000/xx	4 000/xx	2 000/xx	No motor	0000
6 000/10	4 000/20	2 000/40	120 V AC/60 Hz, 1-phase, IP54	E110D
6 000/10	4 000/20	2 000/40	120 V AC/60 Hz, 1-phase, brake, IP20	E110DB
6 000/9	4 000/17	2 000/34	230 V AC/50 Hz, 1-phase, IP54	E220D
6 000/9	4 000/17	2 000/34	230 V AC/50 Hz, 1-phase, brake, IP20	E220DB
6 000/xx	4 000/xx	2 000/xx	No motor	0000
6 000/15-10	4 000/30-20	2 000/60-40	24 V DC, flat motor, IP44	D24D
6 000/15-10	4 000/30-20	2 000/60-40	24 V DC, flat motor, extended shaft, IP44	D24DS
6 000/15-10	4 000/30-20	2 000/60-40	24 V DC, flat motor, brake, IP20	D24DB



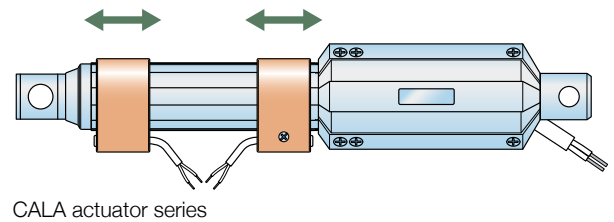
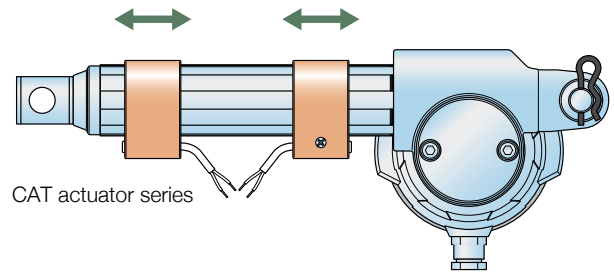
Options shown in red are only available on request. Contact Ewellix for more information on minimum quantities and additional costs.

Spare parts

CAXD 33 limit switch

Limit switches, combined with Ewellix control units, make it possible to set the stroke to any desired length.

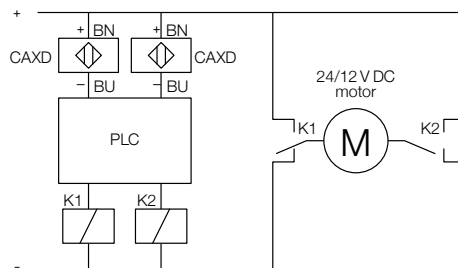
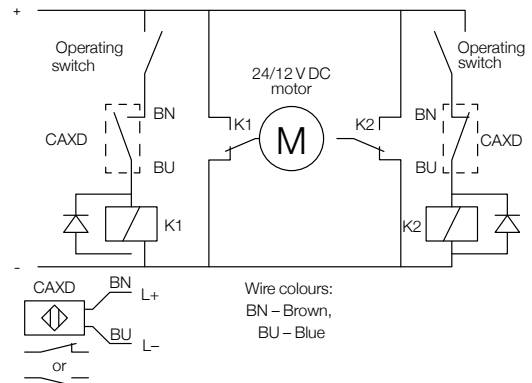
- CAXD 33 – designed for the following actuators:
 - CAT 33
 - CALA 36A
- One CAXD is needed for each limit position
- Use of limit switches reduce the effective stroke by 20 mm for CAT 33 and 25 mm for CALA 36A (retracted position is affected)



Technical data

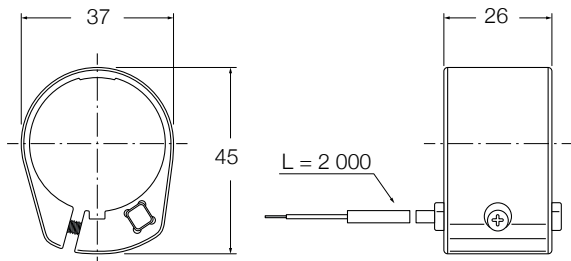
CAXD 33	
Operating voltage	5 to 30 V DC
Max. current	100 mA DC
Voltage drop	< 5 V
Voltage drop	< 5 V
Electrical function	Normally closed or normally open
Make/fall time	0,3 ms / 0,6 ms
Operating temperature	-20 °C to +50 °C
Ingress protection	IP 67 (sensor element)
Vibration/shock	According to IEC 90947-5-2 (sensor element)
Cable dimensions (L x D)	2 m x 3 mm (PUR)
Cable area	2 x 0,14 mm ²
Housing colour	Black

Connecting diagrams



Important! For DC-supply only

Dimensional drawing



Ordering key

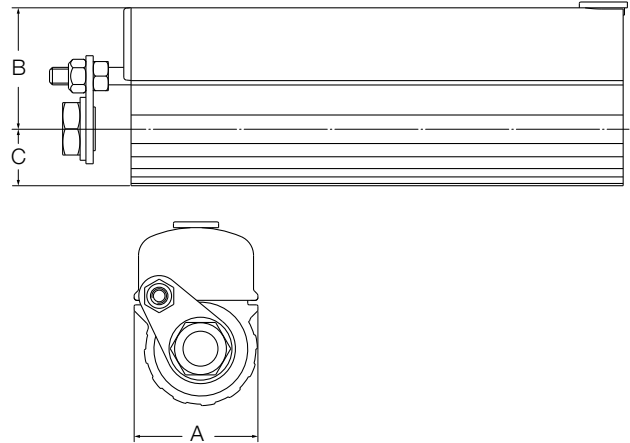
Code	Description
CAXD 33 LIMIT SWITCH, NC	Normally Closed
CAXD 33 LIMIT SWITCH, NO	Normally Open

CAXE limit switch

Limit switches, combined with Ewellix control units, make it possible to set the stroke to any desired length.

- CAXE - designed for the following actuators:
 - CAR 22
 - CAR 32
 - CAR 40
 - CAT 32B
 - CARN 32
- It is recommended to place the limit switch at least 10 mm from the end stop to avoid mechanical failure
- Front attachment G3 must be selected for this option

Dimensional drawing



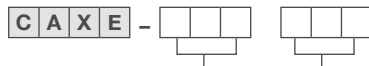
	A	B	C
CAXE 22	42,5	37	14
CAXE 32/32B	47,5	40	20
CAXE 40	46	46	23

Technical data

CAXE	
Operating voltage	5 to 30 V DC
Max. current	100 mA DC
Protection class	III
Voltage drop	< 5 V
Electrical function	Normally Closed (NC) and Normally Open (NO)
Make/break time	0,3 ms / 0,6 ms
Operating temperature	-20 to +70 °C
Degree of protection	IP 67 (sensor element)
Vibration/shock	According to IEC 60947-5-1 (sensor element)
Cable dimensions (L x D)	2 000 x 3 mm (PUR)
Cable area	3 x 0,14 mm ²

Important! The sensor has no overload protection and no reverse polarity protection.

Ordering key



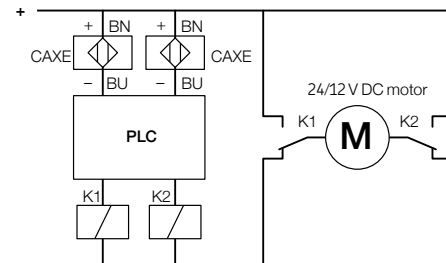
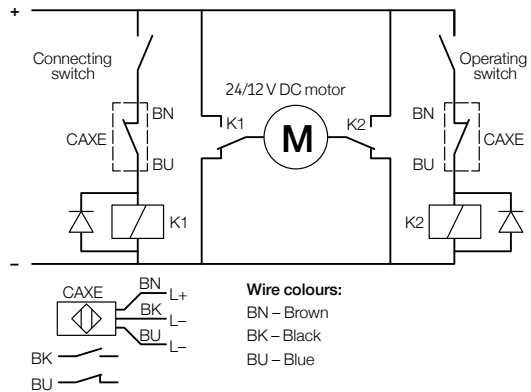
Type

022	CAXE32	CAR 22
032	CAXE32	CAR 32, CARN 32
32B	CAXE32B	CAT 32B
040	CAXE40	CAR 40

Actuators stroke (mm)

050	050	CAR 22, 32 CARN 32 and CAT 32B
100	100	CAR 22, 32, 40, CARN 32 and CAT 32B
150	150	CAR 22
200	200	CAR 22, 32 CARN 32 and CAT 32B
300	300	CAR 22, 32, 40, CARN 32 and CAT 32B
400	400	CAT 32B
500	500	CAR 32, 40, CARN 32 and CAT 32B
700	700	CAR 32, 40, CARN 32 and CAT 32B

Connecting diagrams



Important! For DC-supply only

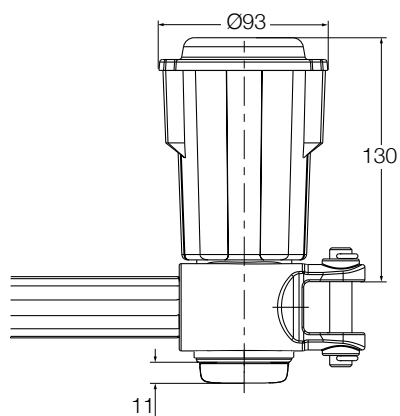
Feedback for CAT series – Encoder E2

- Can be fitted to all standard motors
- Hall effect, two channels with 90° displacement
- Located on gear housing, see drawing
- 2 pulses/channel and motor revolution
- Supply voltage: 5–24 V DC
- Final resolution according to gear ratio and actuator basic type (see table)

Feedback

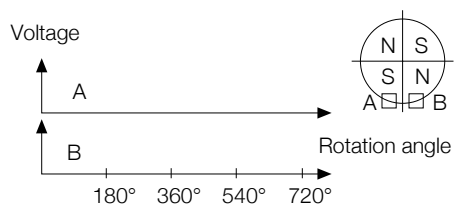
	Gear	Pulses at 1mm stroke	Resolution (mm) per pulse
CAT 33	1	16,67	0,06
	2	8,33	0,12
	4	4,17	0,24
CAT 33H	1	4,00	0,25
	2	2,00	0,50
	4	1,00	1,00
CAT 32B	1	12,50	0,08
	2	6,25	0,16
	4	3,13	0,32

Dimensional drawing

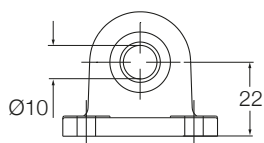


Encoder option E2

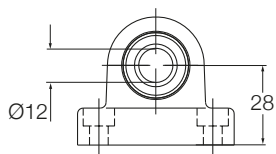
Connecting diagrams



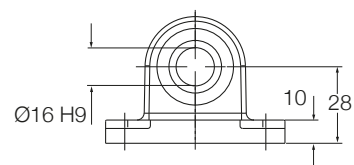
Attachments



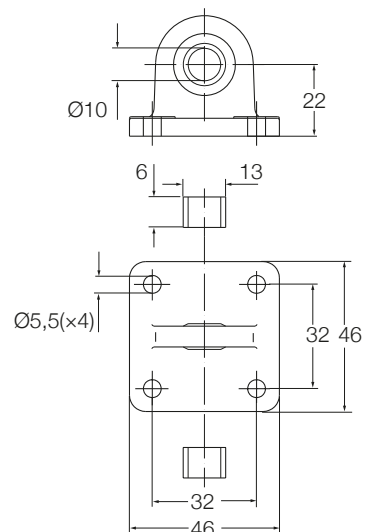
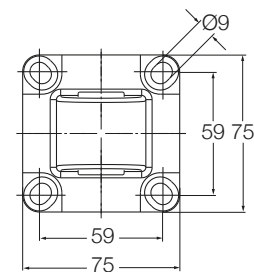
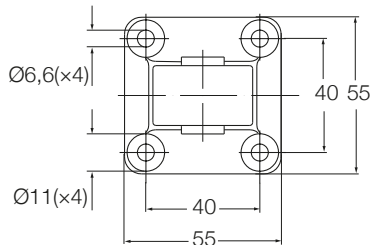
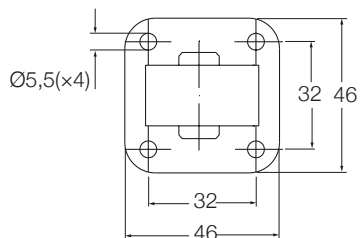
580-22



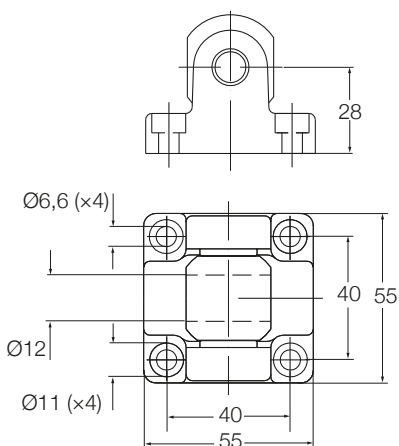
580-32



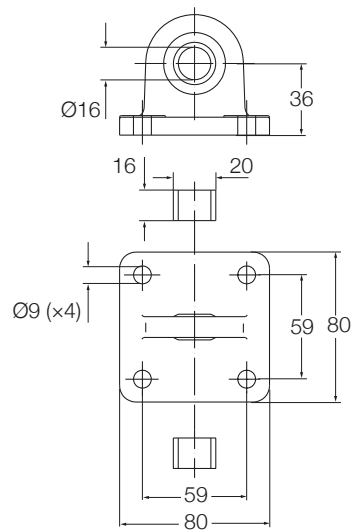
590-40



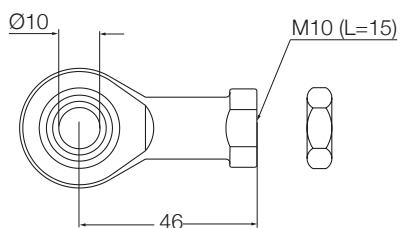
581-22



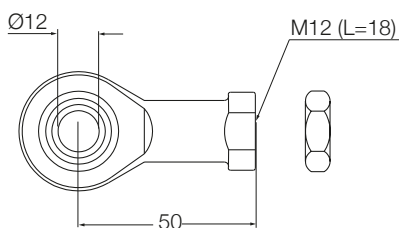
582-32



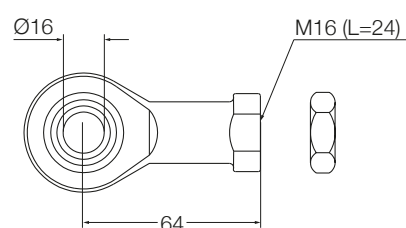
581-40



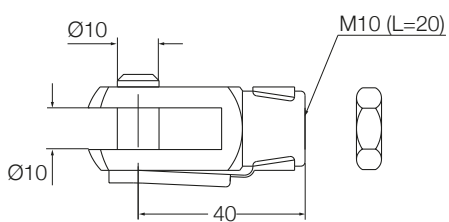
575-22



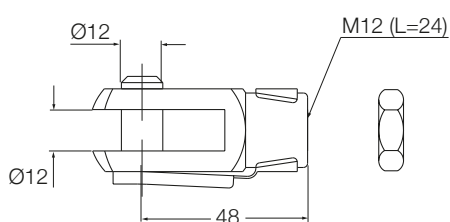
575-32



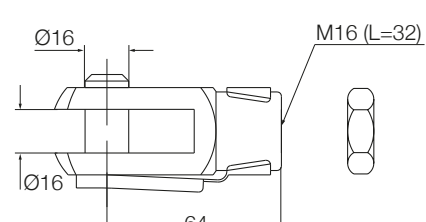
575-40



576-22



576-32



576-40



ewellix.com

© Ewellix

All contents of this publication are the property of Ewellix, and may not be reproduced or given to third parties (even extracts) without permission. Although great care has been taken in the production of this catalog, Ewellix does not take any responsibility for damage or other loss resulting from omissions or typographical errors. The photo may differ slightly in appearance from the actual product. Due to continuous improvements being made in our products, the product's appearance and specifications are subject to change without notice.

PUB IL-06007/1-EN-March 2020

Certain image(s) used under license from Shutterstock.com.